

Simple Rice Weeding Hand Tool. Fabricated from available wood pieces, or organic, unfinished timber scraps. Ultimate shape follows "artisan" (artistic sculptural) craftsmanship established by local craftsmen.

**3D1** PERSPECTIVE  
SCALE: NTS



519 Seabright Ave., Suite 216 • Santa Cruz, CA 95062  
www.earthlinkinc.org • elinks@cruzio.com • 831-457-0414

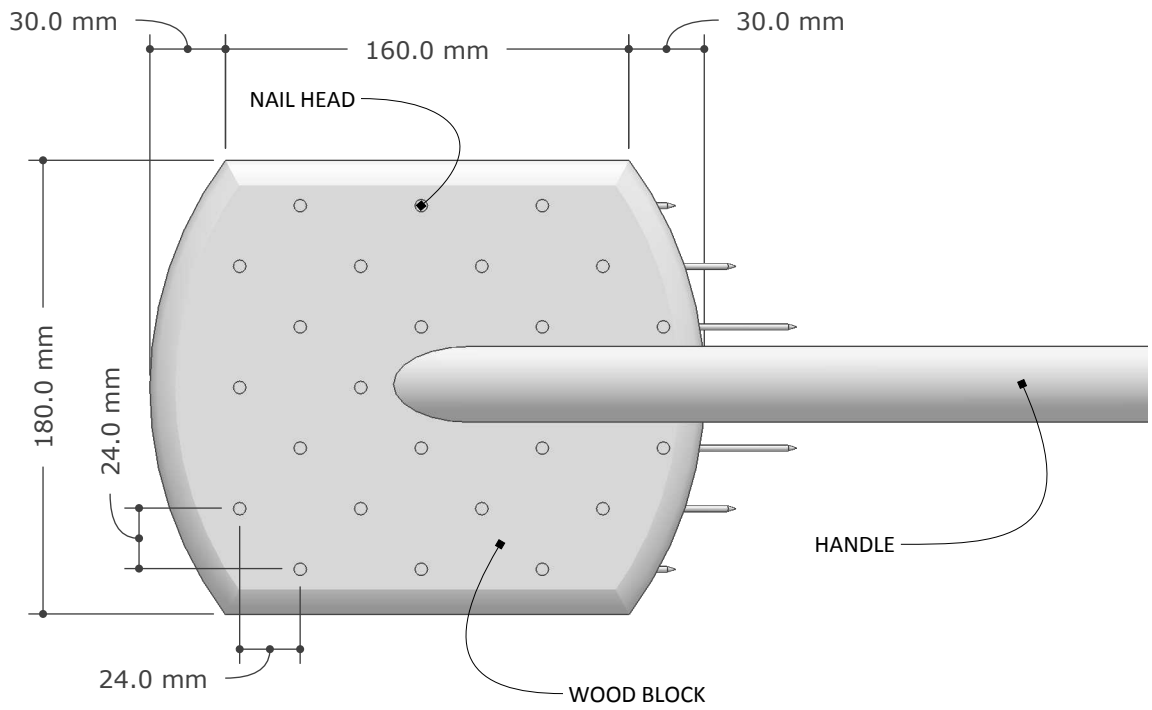
PROJECT:

Malaysian Static Weeder

ISSUE: **Apr 26, 2016**

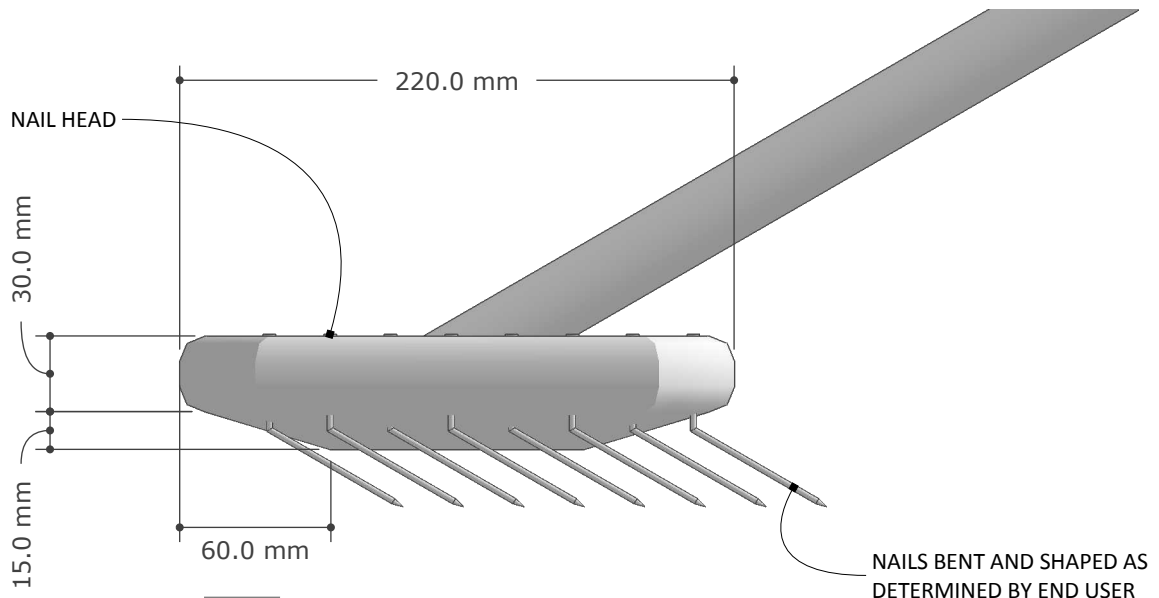
SHEET: **PERSPECTIVE**

PAGE: **01 OF 03**



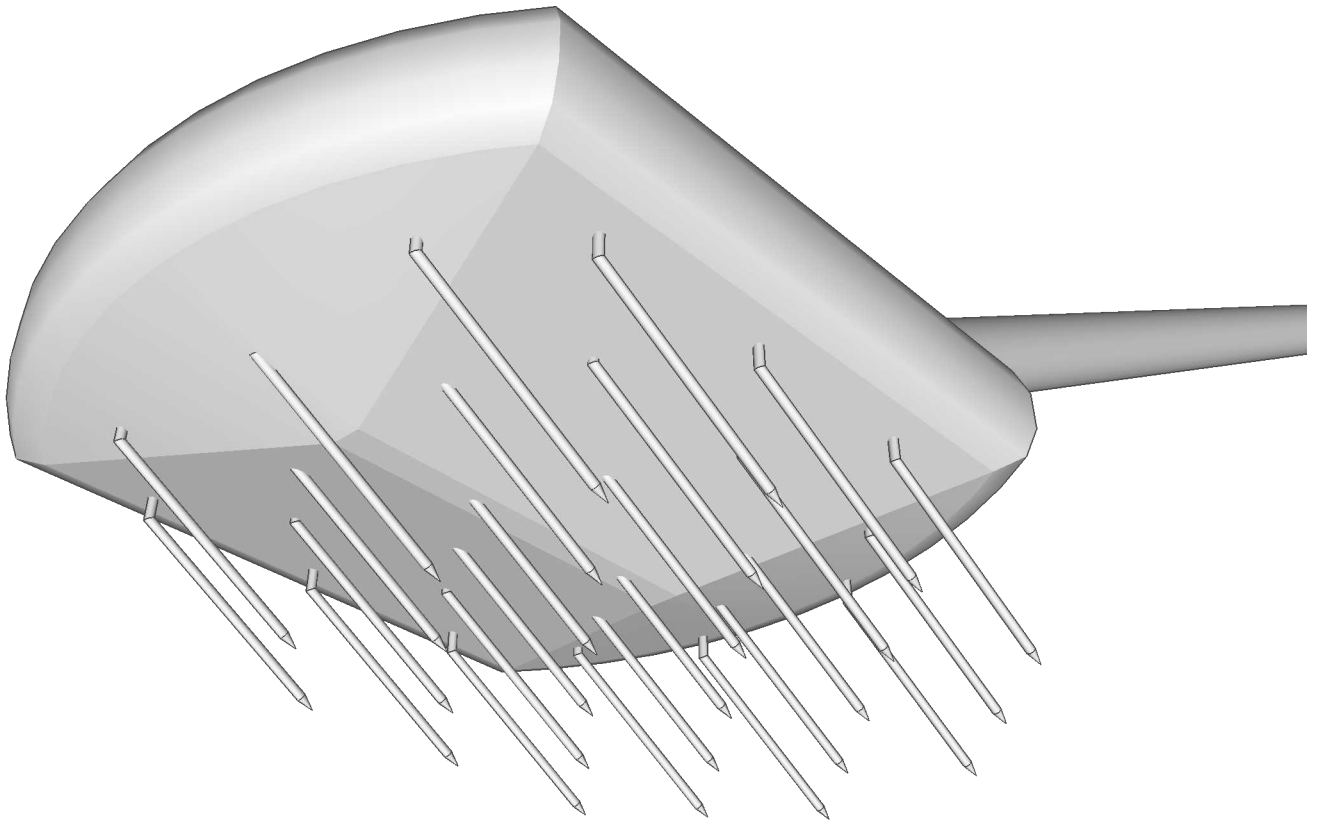
**P1** TOP VIEW  
SCALE: 1:3

Noted Dimensions are Suggested. End User will modify as required to accomodate their individual Field Conditions.  
Nail placement is suggested on a 24x24mm Grid.



**E1** SIDE VIEW  
SCALE: 1:3





**3D2** **BOTTOM PERSPECTIVE**  
**SCALE: NTS**



519 Seabright Ave., Suite 216 • Santa Cruz, CA 95062  
www.earthlinksinc.org • elinks@cruzio.com • 831-457-0414

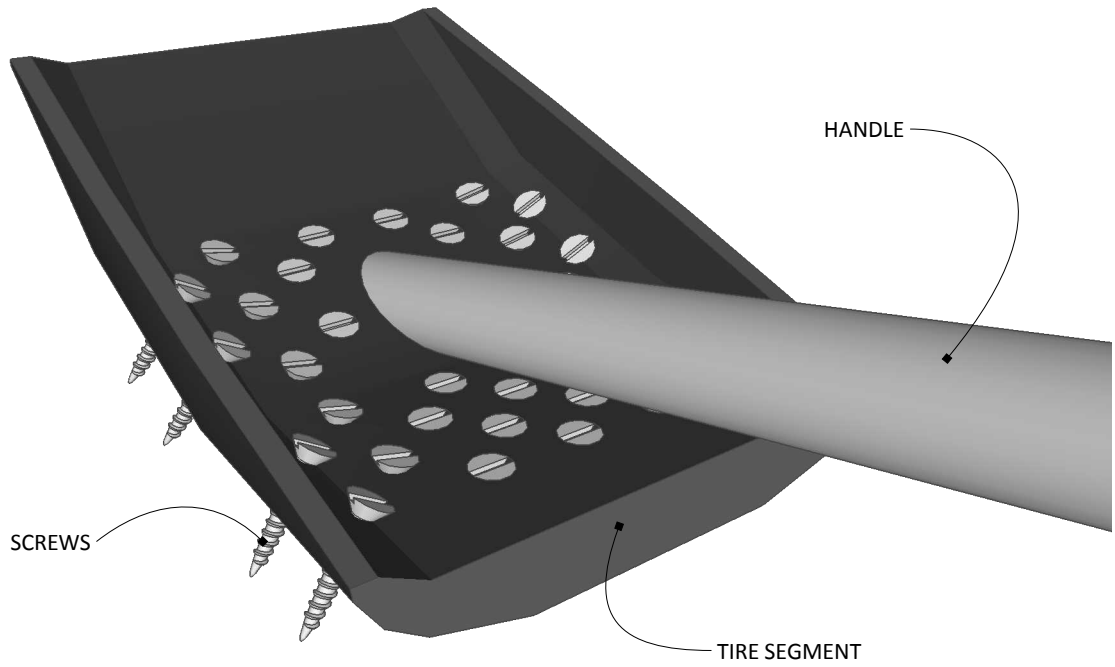
PROJECT:

Malaysian Static Weeder

ISSUE: **Apr 26, 2016**

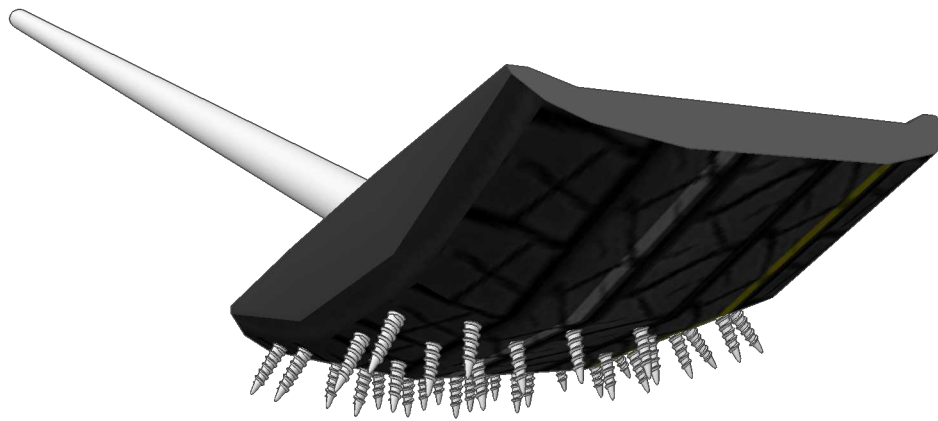
SHEET: **BOTTOM VIEW**

PAGE: **03 OF 03**



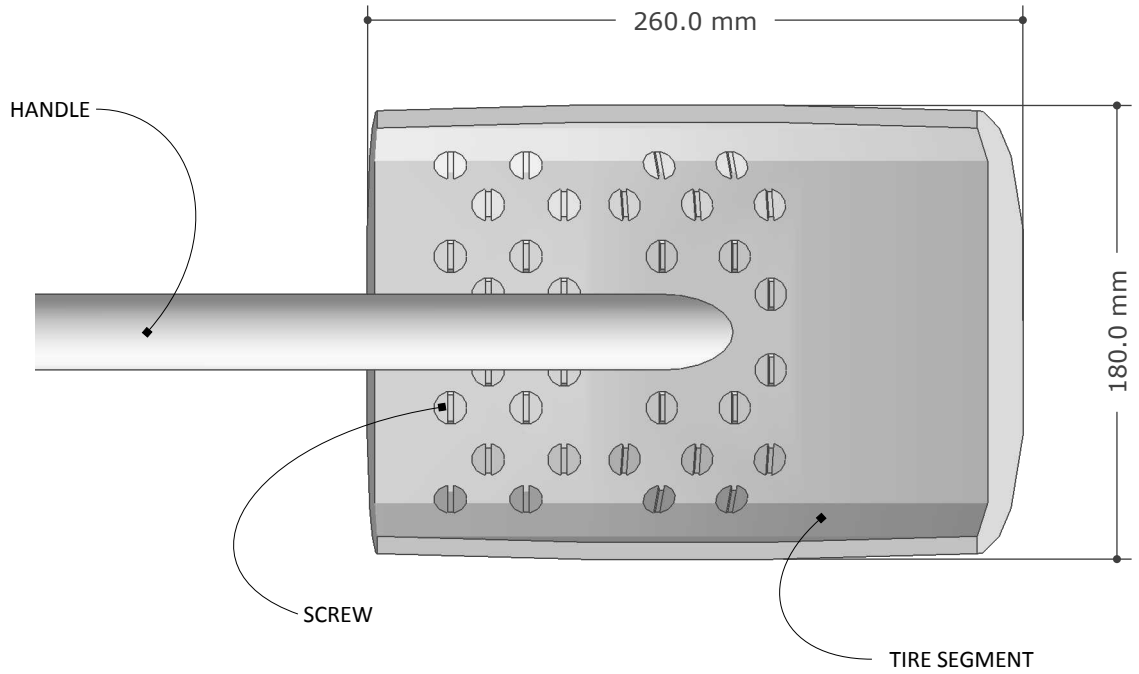
**3D1** PERSPECTIVE  
SCALE: NTS

User may select available materials and experiment with the weeder width, length or depth of the side wall. Nails or screws should project 2.5cm outside of the Tire but sizes can be changed for best results as User sees fit.

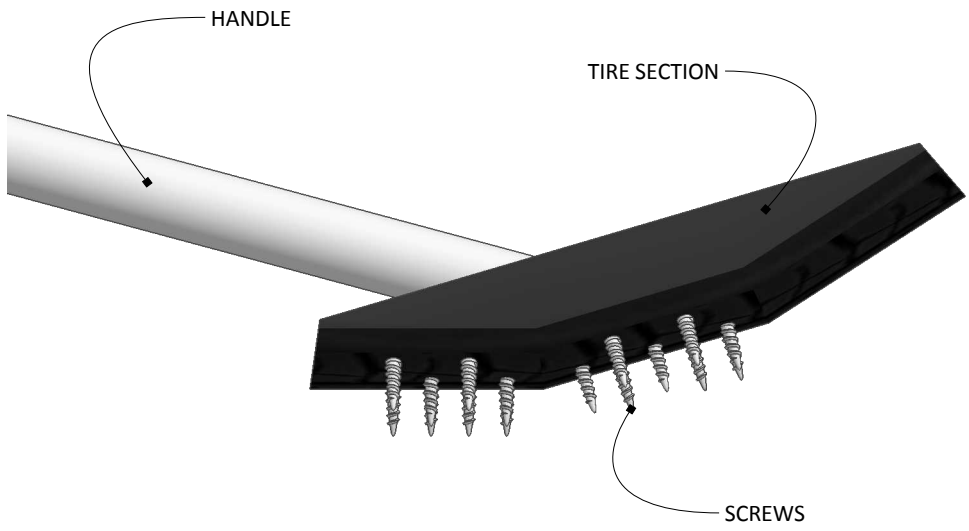


**3D2** BOTTOM PERSPECTIVE  
SCALE: NTS



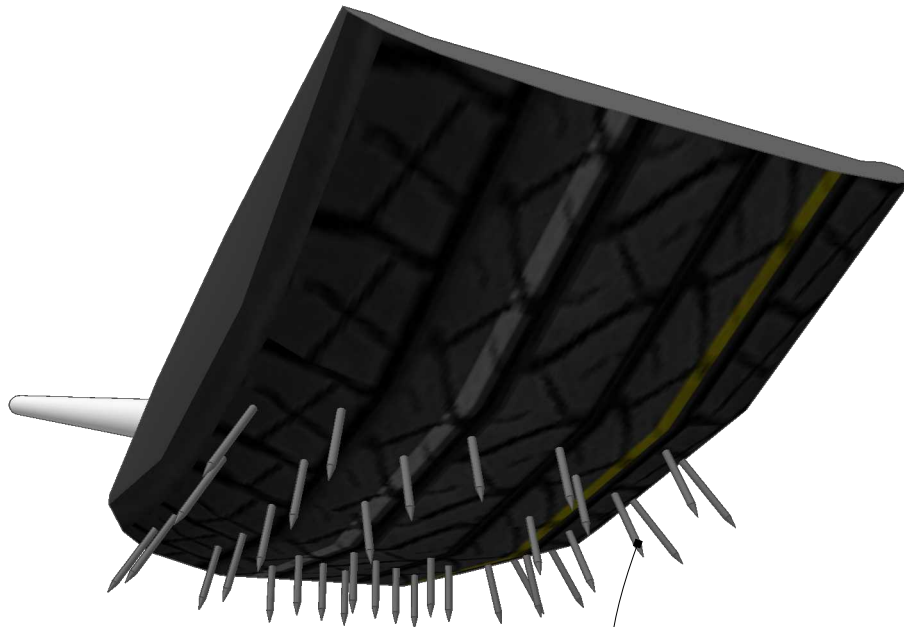


**P1** TOP VIEW  
SCALE: 1:3



**E1** SIDE ELEVATION  
SCALE: 1:3





SCREWS MAY BE SUBSTITUTED  
WITH NAILS AS END USER SEES FIT

**3D3**

**NAILS OPTION PERSPECTIVE**  
**SCALE: NTS**



519 Seabright Ave., Suite 216 • Santa Cruz, CA 95062  
www.earthlinksinc.org • elinks@cruzio.com • 831-457-0414

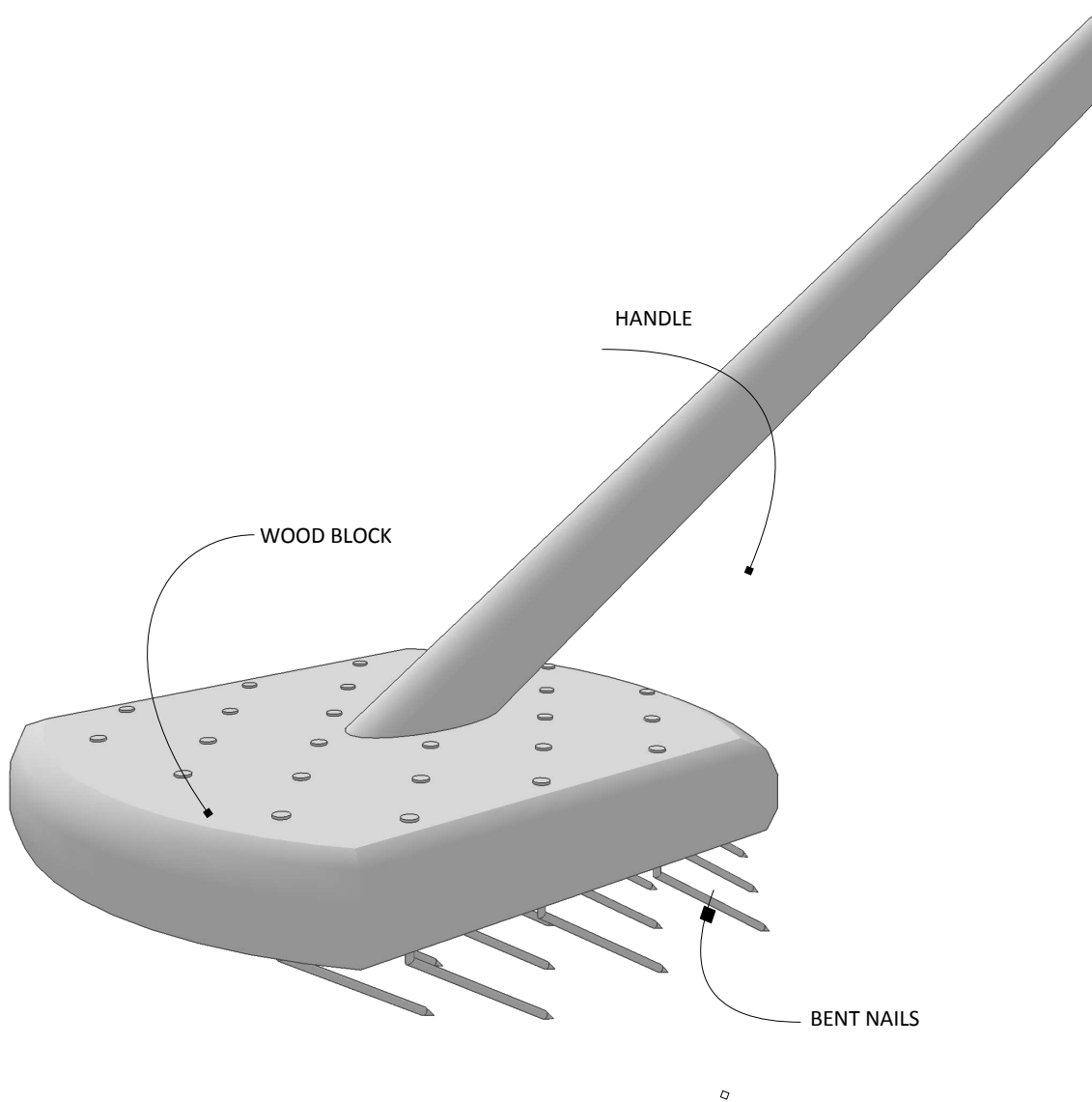
PROJECT:

Tire Static Weeder

ISSUE: **May 20, 2016**

SHEET: **NAILS OPTION**

PAGE: **03 OF 03**



Simple Rice Weeding Hand Tool. Fabricated from available wood pieces, or organic, unfinished timber scraps. Ultimate shape follows "artisan" (artistic sculptural) craftsmanship established by local craftsmen.

User may select available materials and experiment with the weeder width, length or depth of the side wall. Nails or screws should project 2.5cm outside of the Tire but sizes can be changed for best results as User sees fit.

