

519 Seabright Ave., Suite 216 • Santa Cruz, CA 95062  
www.earthlinksinc.org • elinks@cruzio.com • 831-457-0414

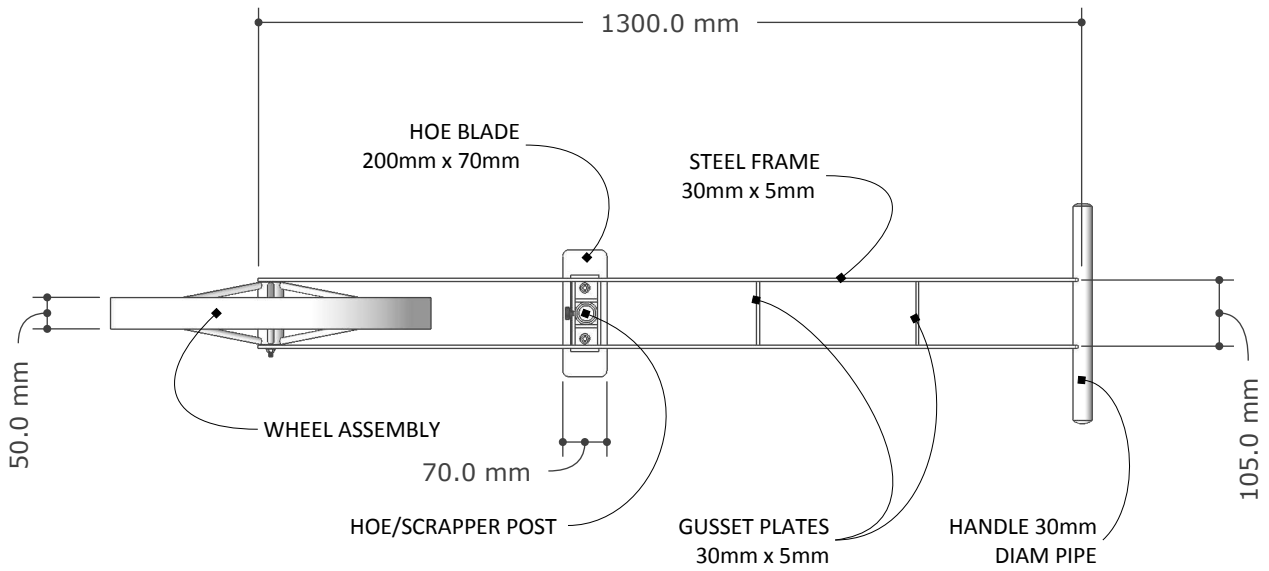
PROJECT:

DRY LAND SINGLE WHEEL WEEDER

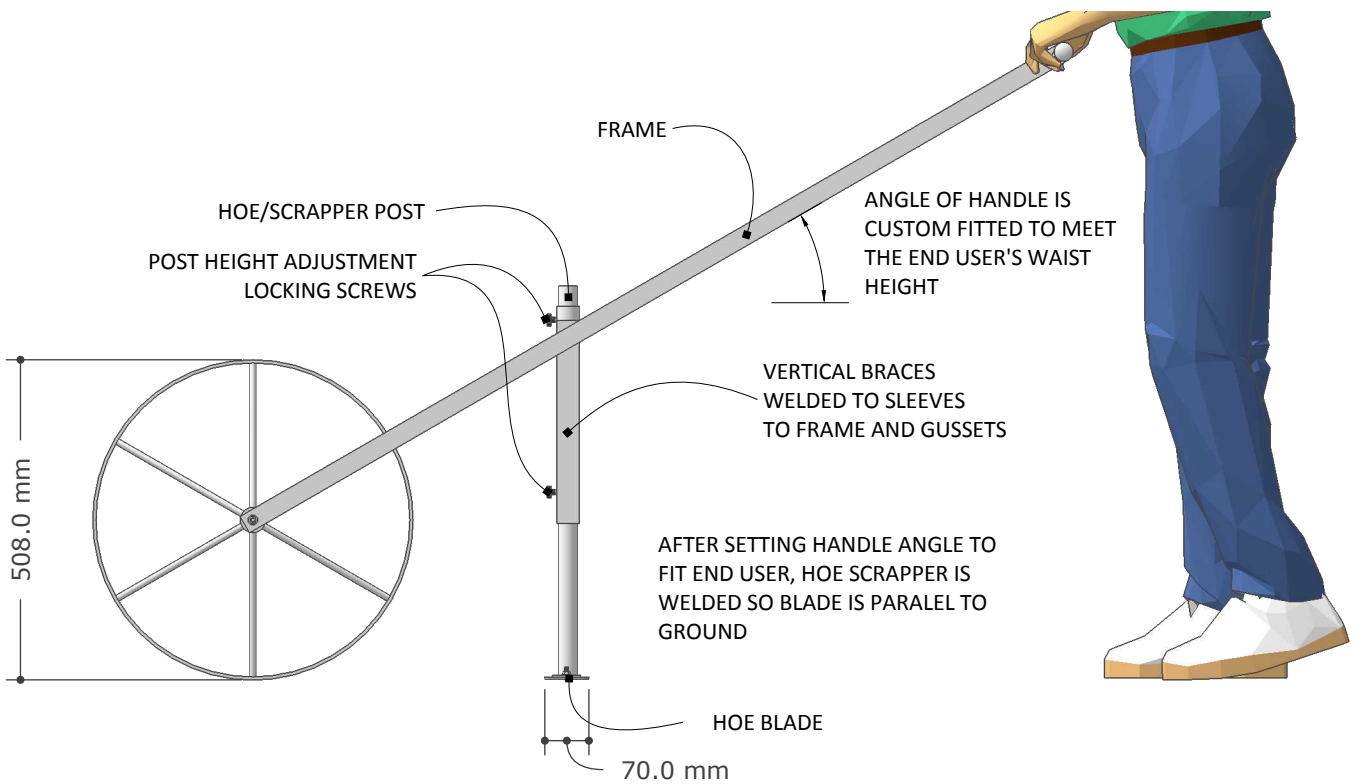
ISSUE: **Oct 27, 2016**

SHEET: **PERSPECTIVE**

PAGE: **01 OF 03**

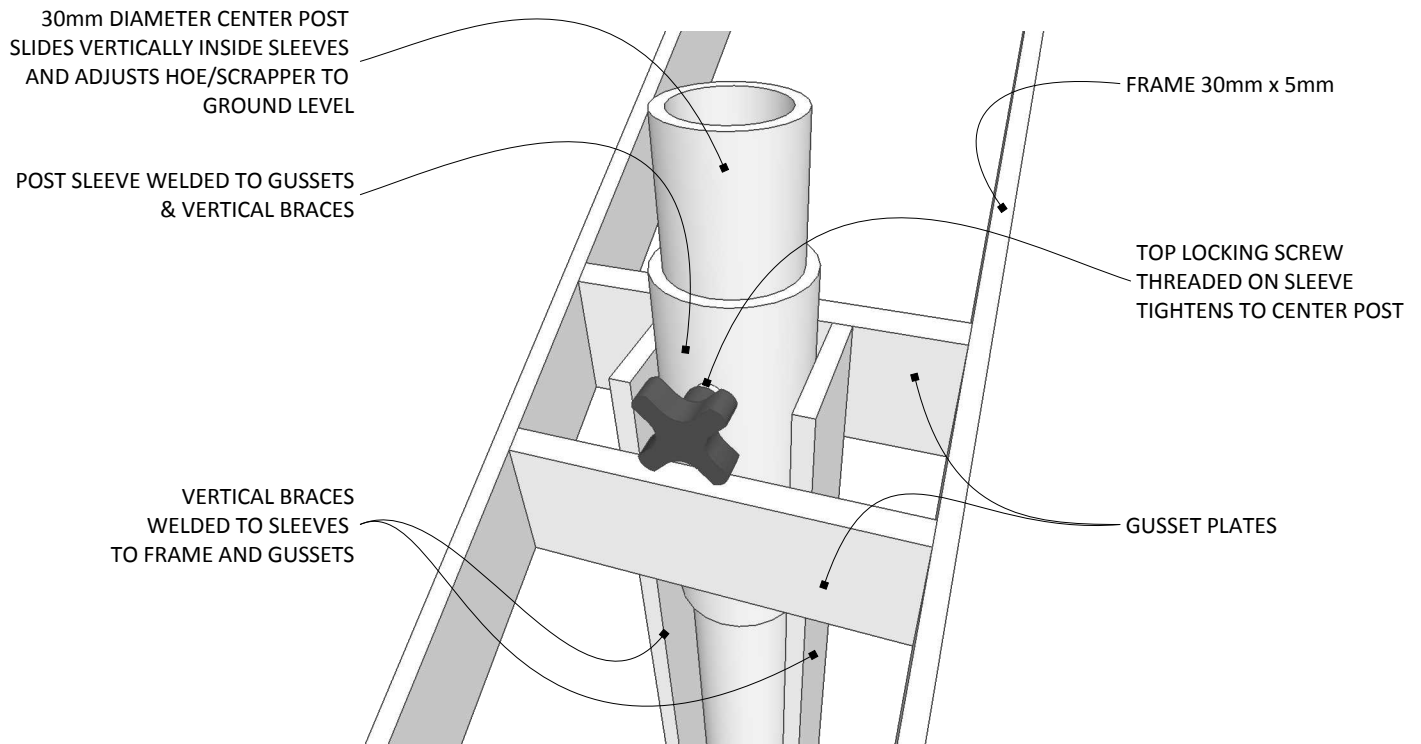


**P1** TOP VIEW  
SCALE: 1:12

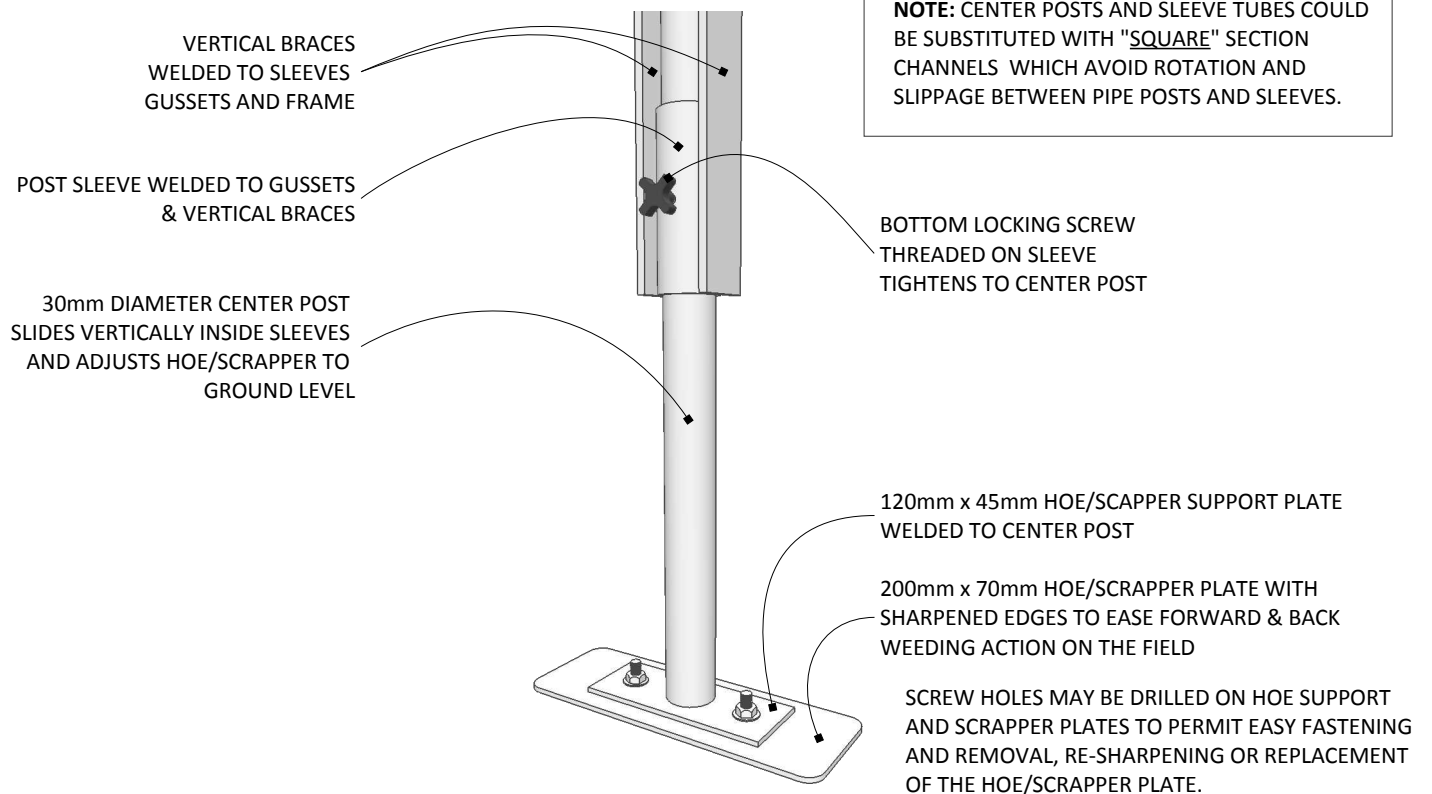


**E1** SIDE VIEW  
SCALE: 1:12





**M1** **ADJUSTABLE POST DETAIL**  
SCALE: NTS



**M2** **HOE-SCRAPPER DETAIL**  
SCALE: NTS

