

519 Seabright Ave., Suite 216 • Santa Cruz, CA 95062
www.earthlinksinc.org • elinks@cruzio.com • 831-457-0414

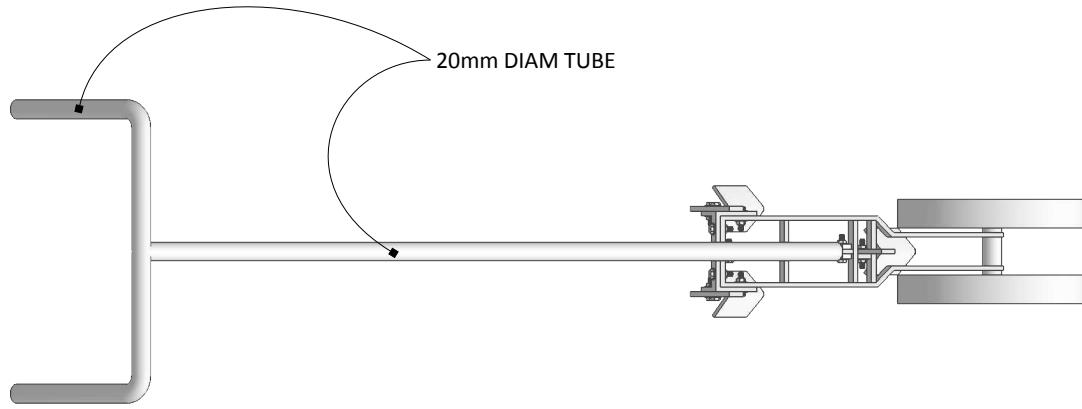
PROJECT:

DRY LAND MULTICROP WHEELED WEEDER

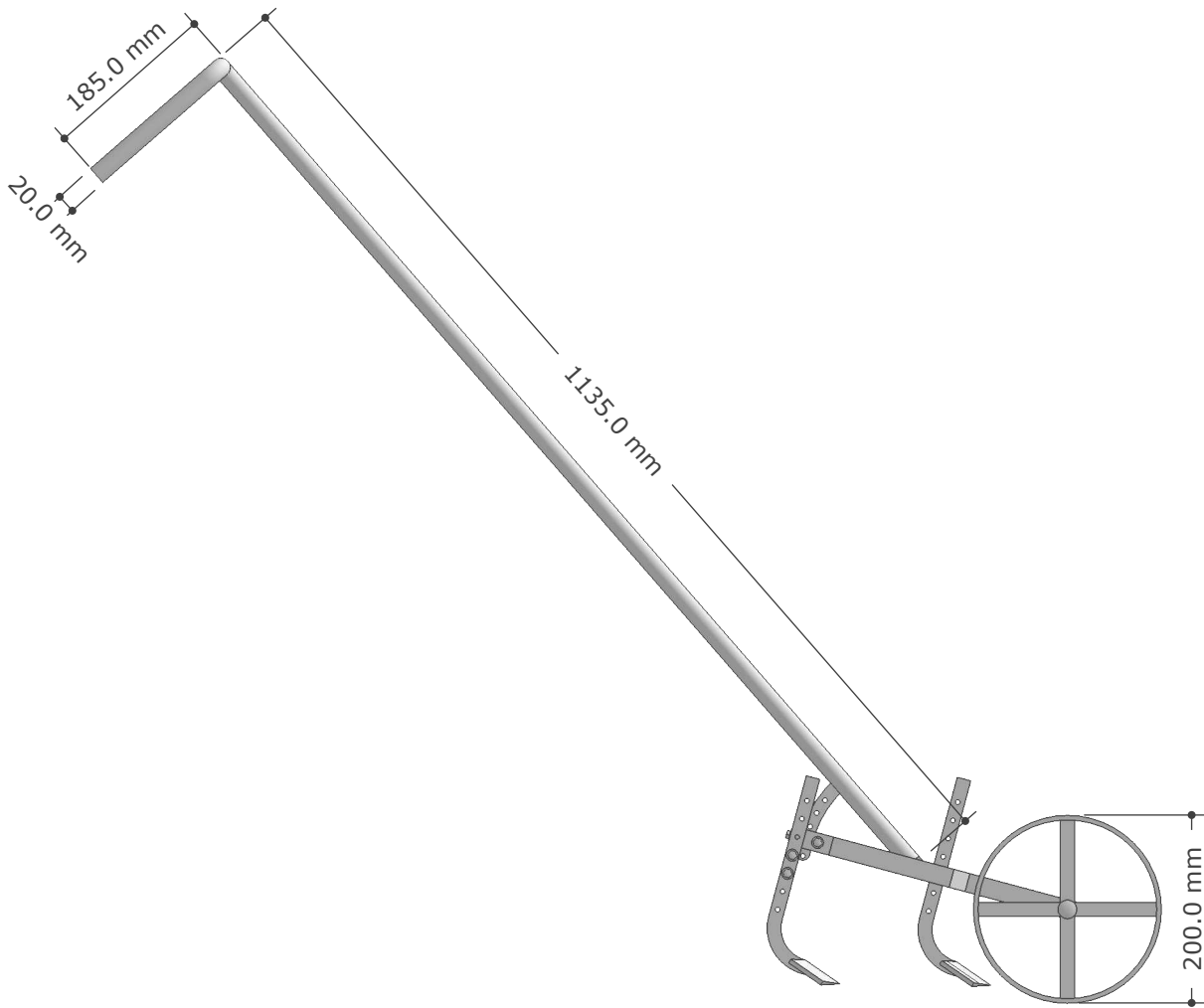
ISSUE: **Jan 03, 2017**

SHEET: **FULL TOOL**

PAGE: **01 OF 06**

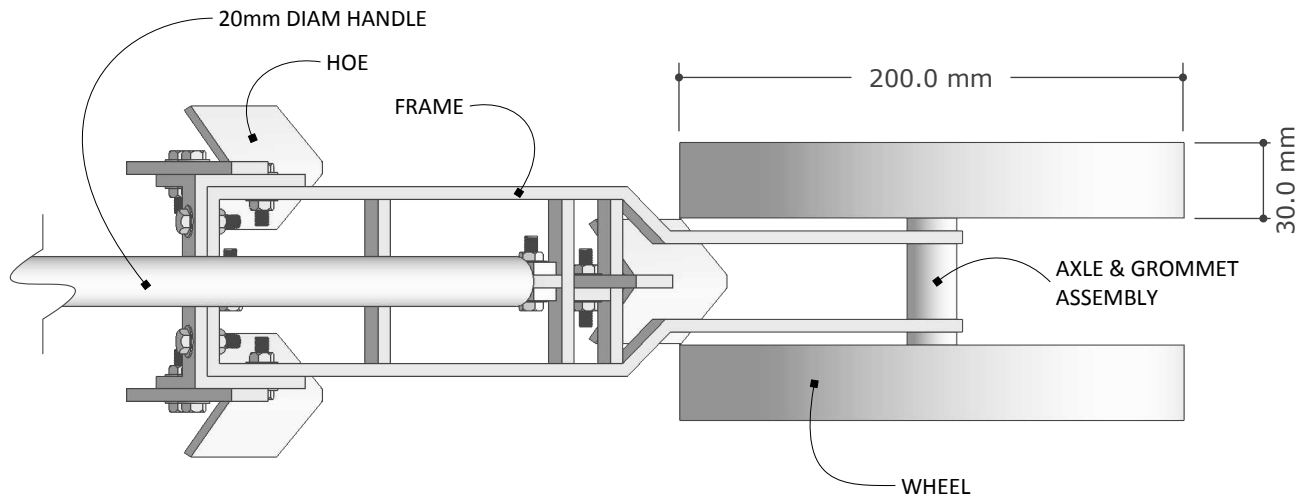


P1 TOP VIEW
SCALE: 1:8

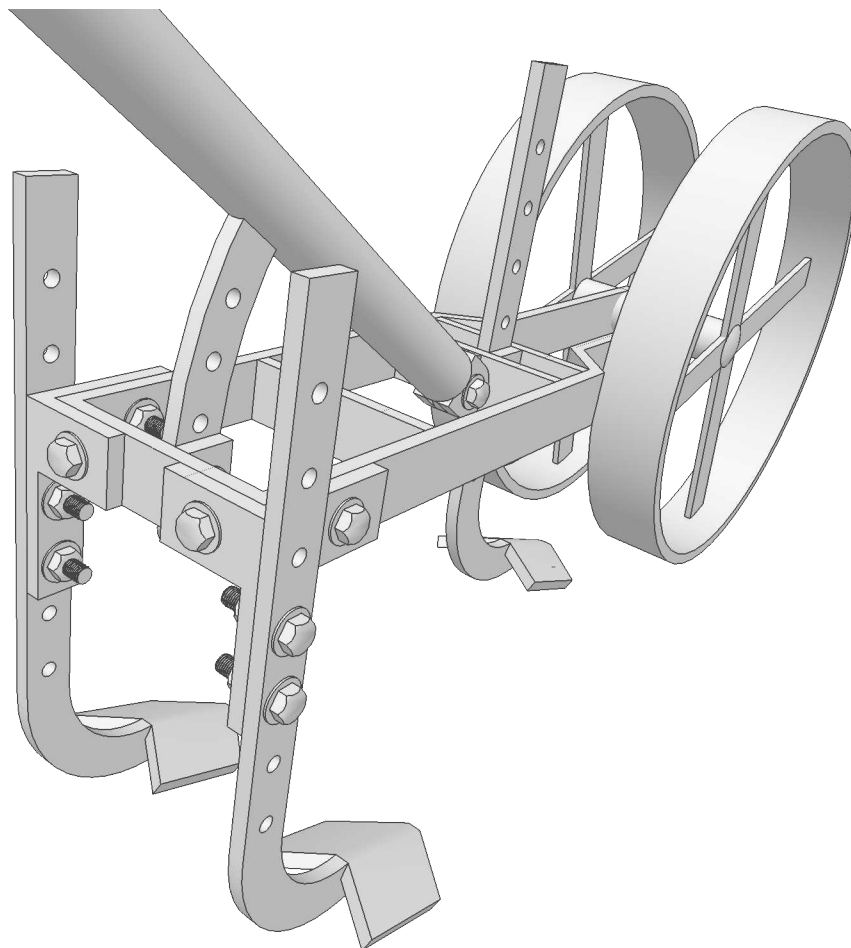


E1 SIDE VIEW
SCALE: 1:8





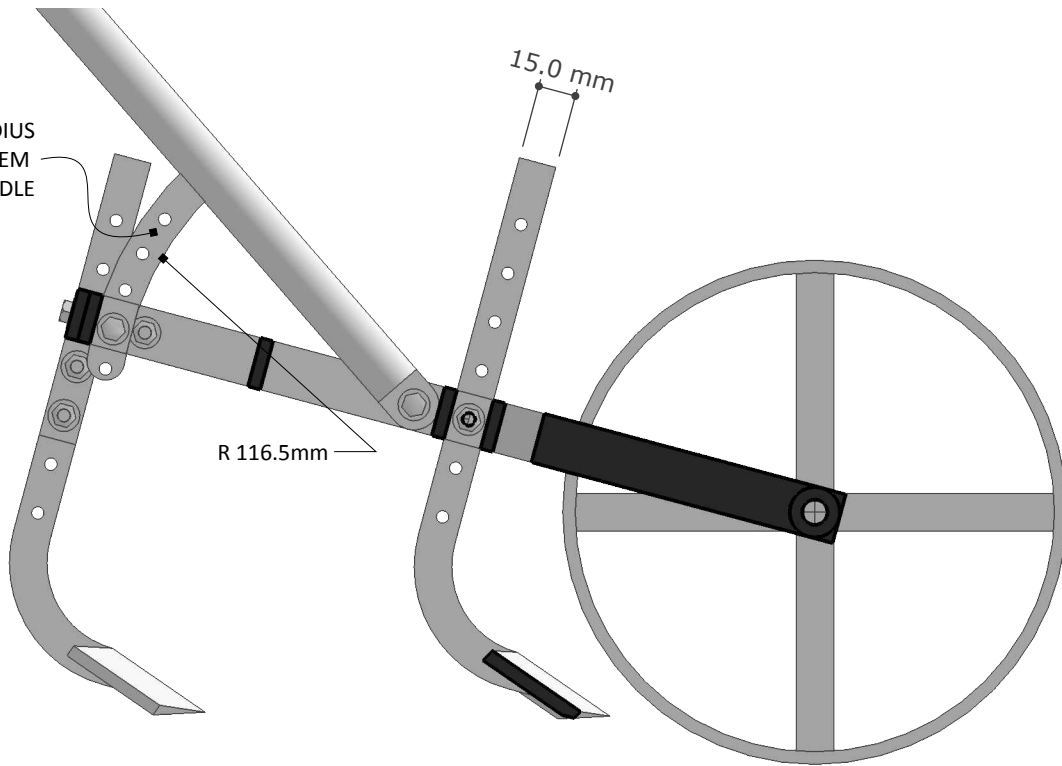
P2 TOOL TOP VIEW
SCALE: 1:3



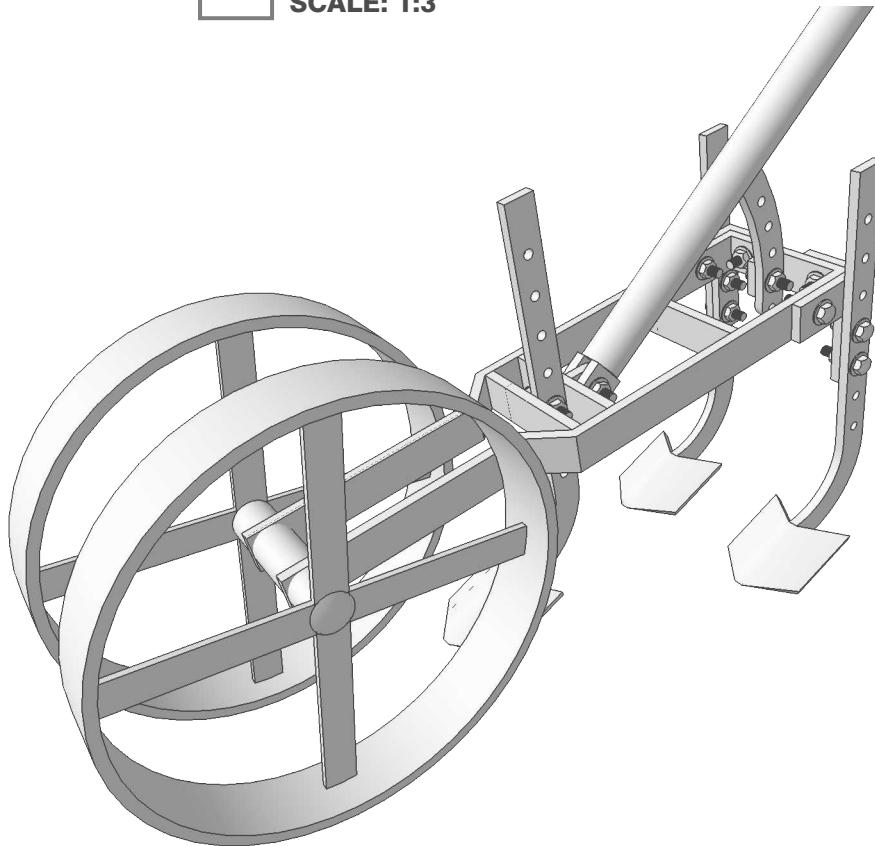
M1 TOOL REAR PERSPECTIVE
SCALE: NTS



116.5mm RADIUS
ADJUSTMENT STEM
WELDED TO HANDLE

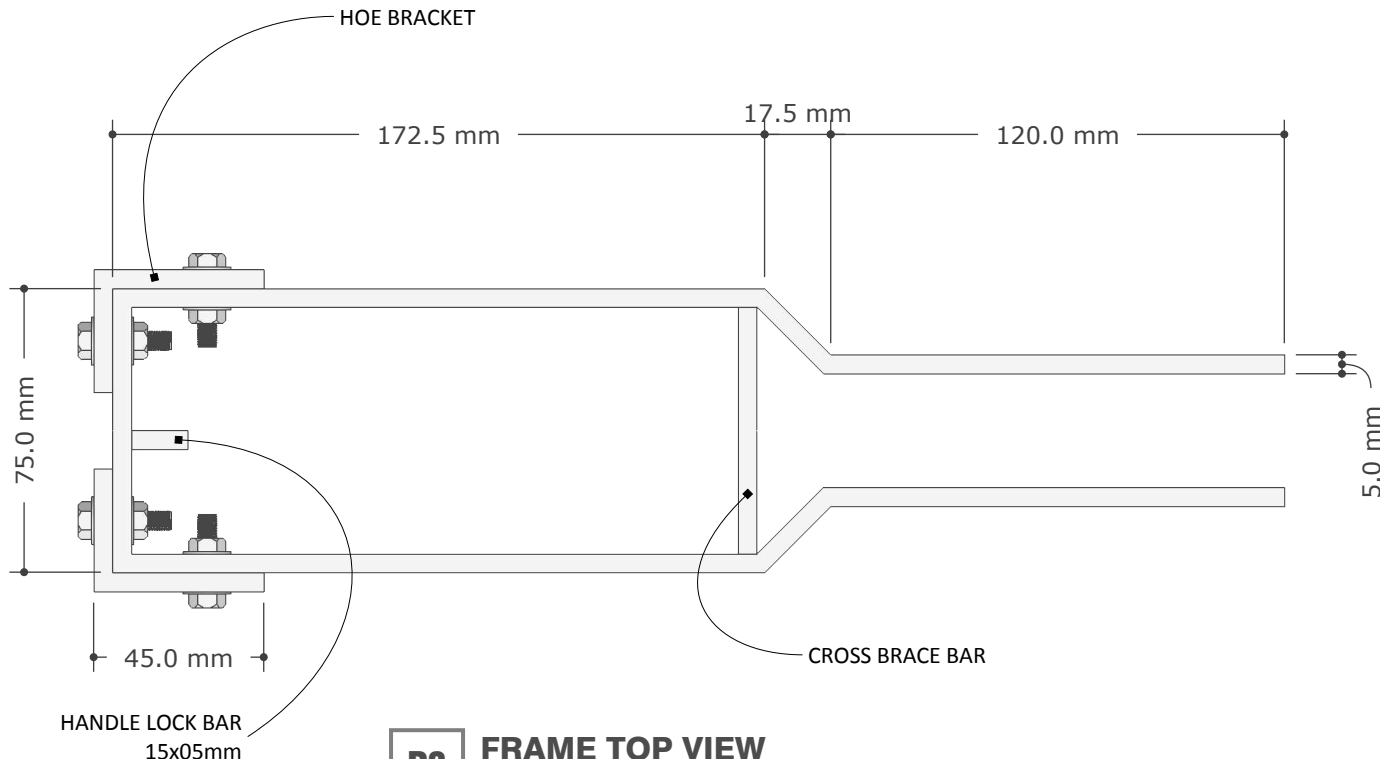


S1 TOOL SECTION
SCALE: 1:3

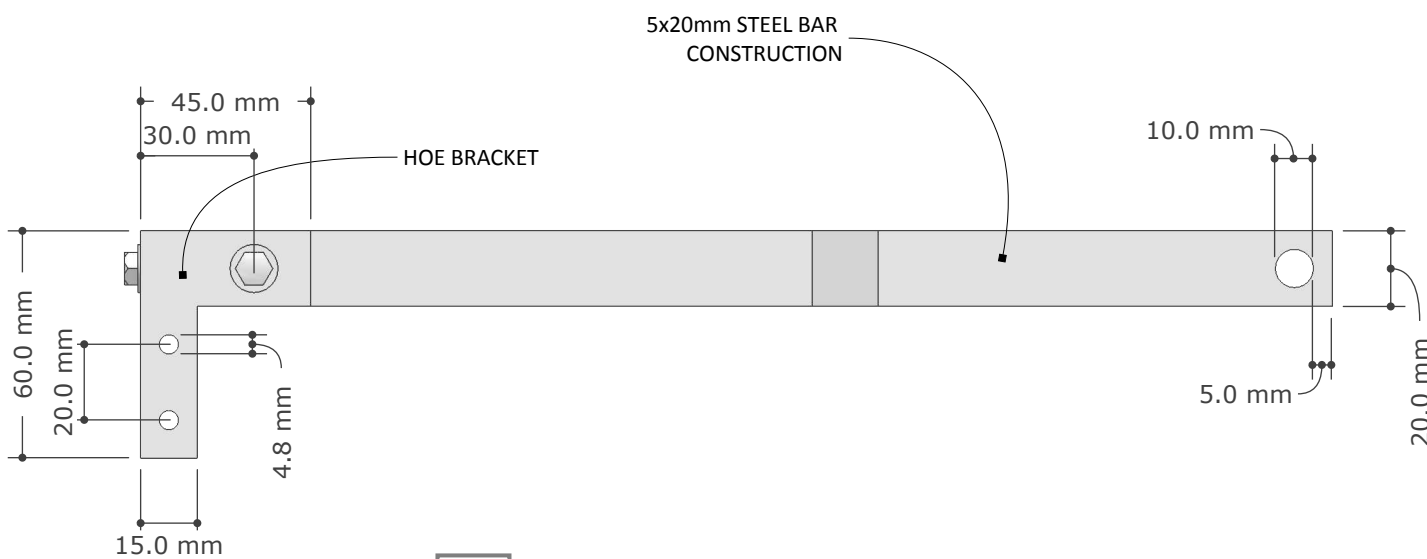


M2 TOOL PERSPECTIVE
SCALE: NTS



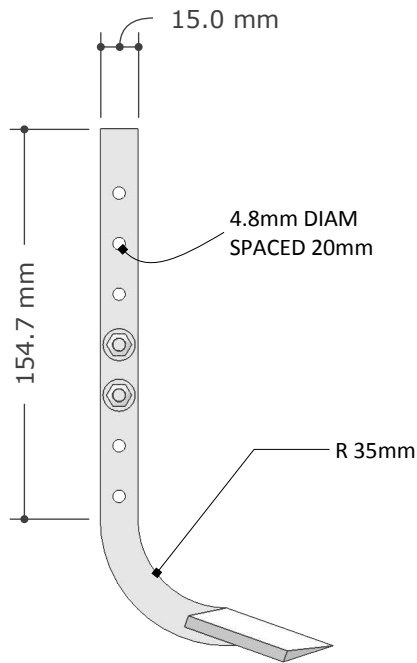


P3 FRAME TOP VIEW
SCALE: 1:2

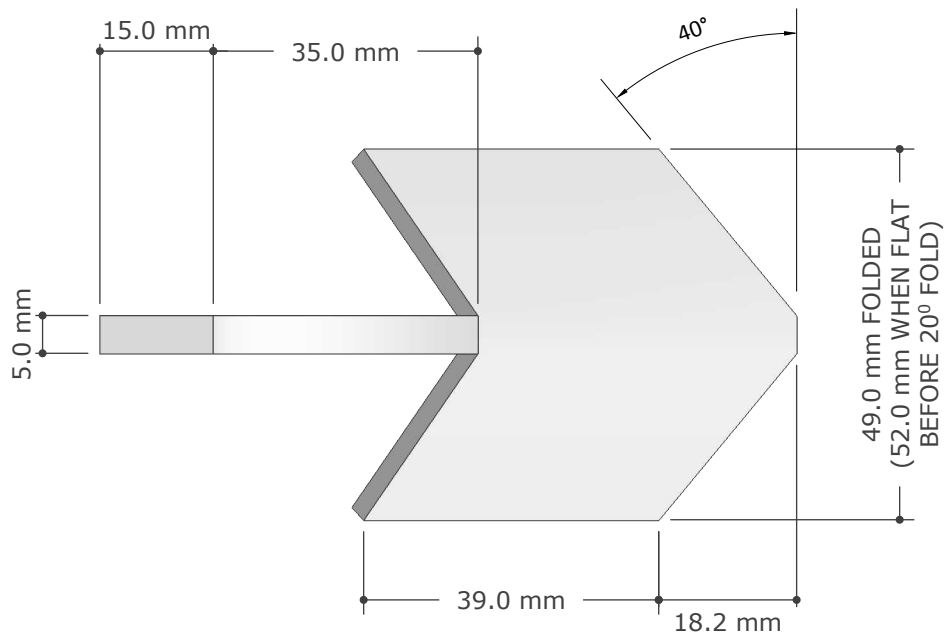


E2 FRAME SIDE VIEW
SCALE: 1:2





E3 HOE SIDE VIEW
SCALE: 1:3



P4 HOE TOP VIEW
SCALE: FULL SIZE

