

519 Seabright Ave., Suite 216 • Santa Cruz, CA 95062  
www.earthlinksinc.org • elinks@cruzio.com • 831-457-0414

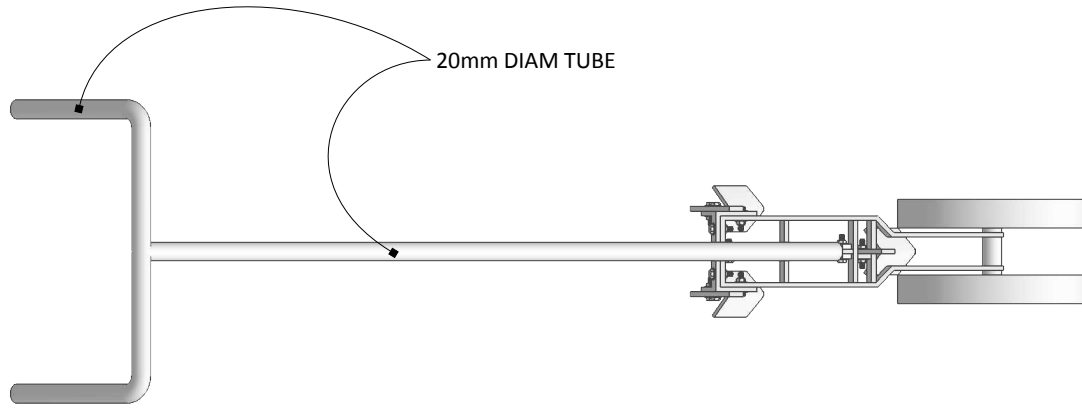
PROJECT:

## DRY LAND MULTICROP WHEELED WEEDER

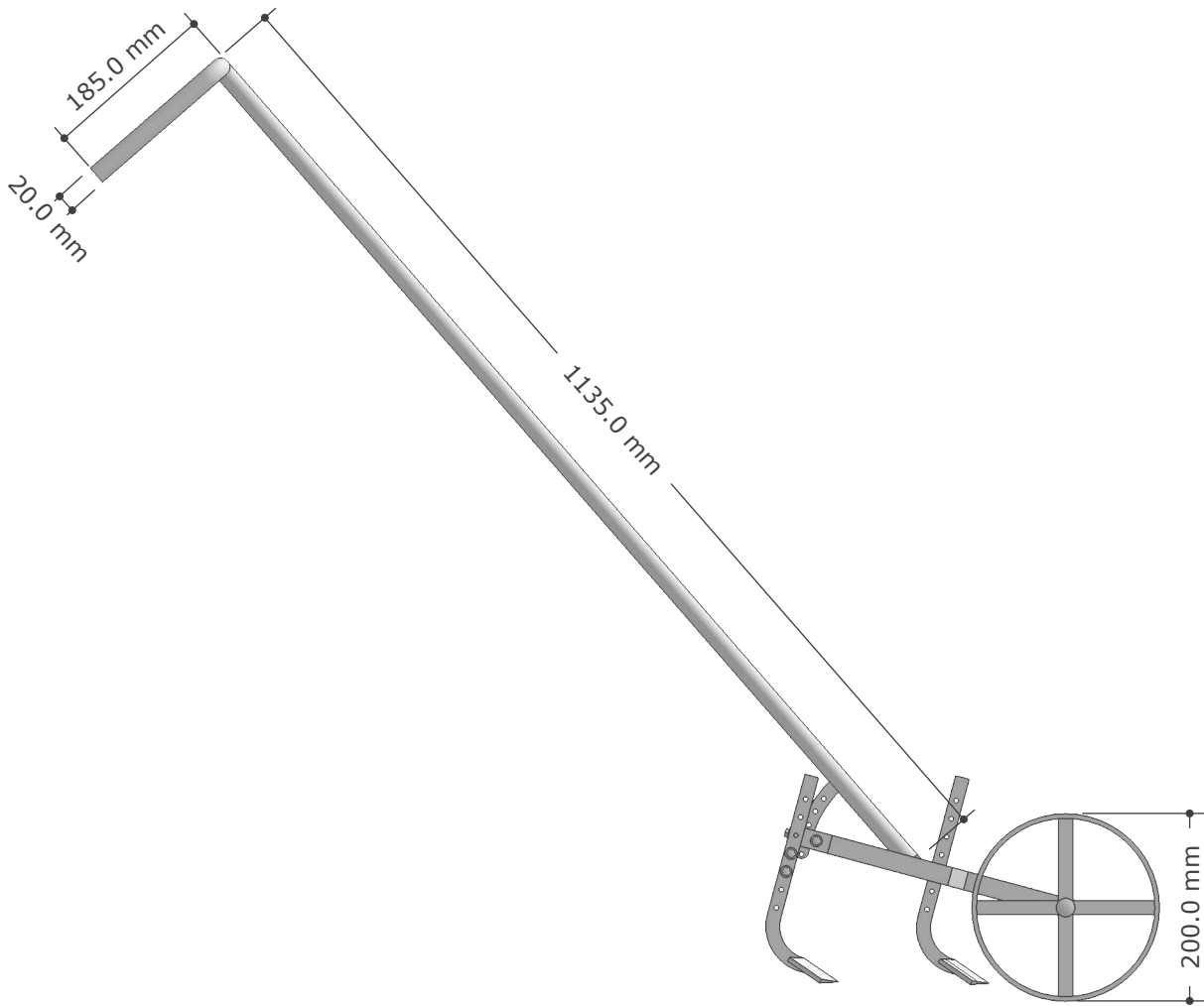
ISSUE: **Jan 03, 2017**

SHEET: **FULL TOOL**

PAGE: **01 OF 06**

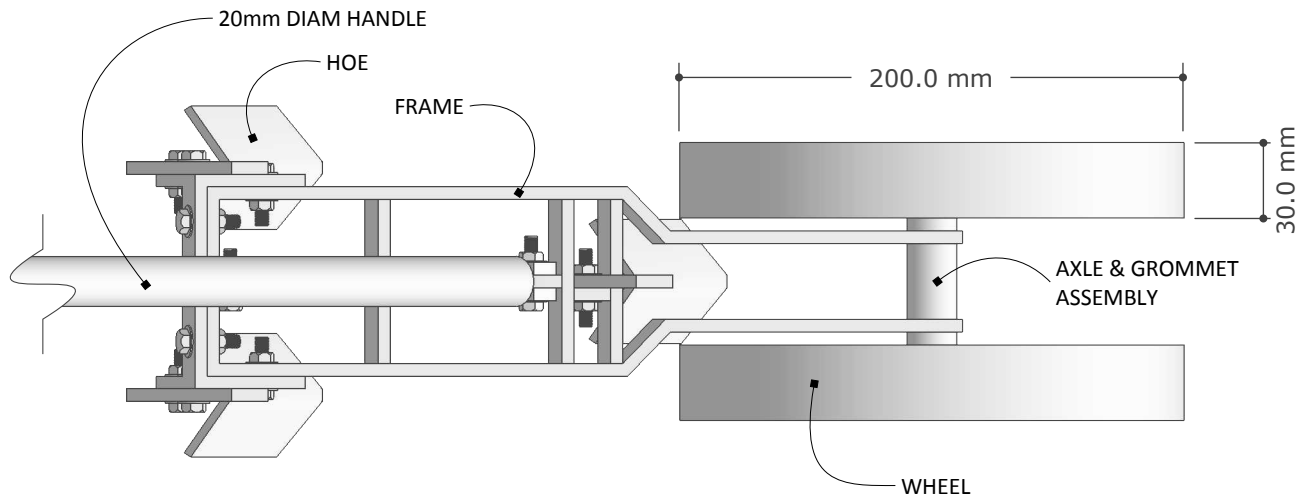


**P1** TOP VIEW  
SCALE: 1:8

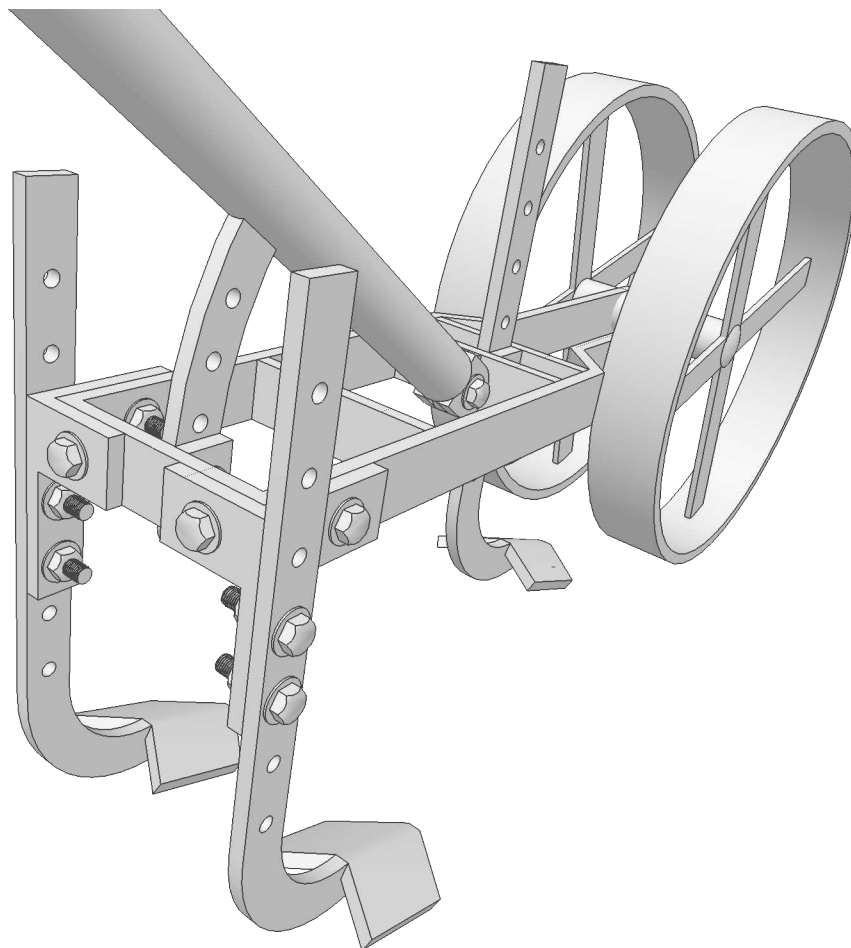


**E1** SIDE VIEW  
SCALE: 1:8





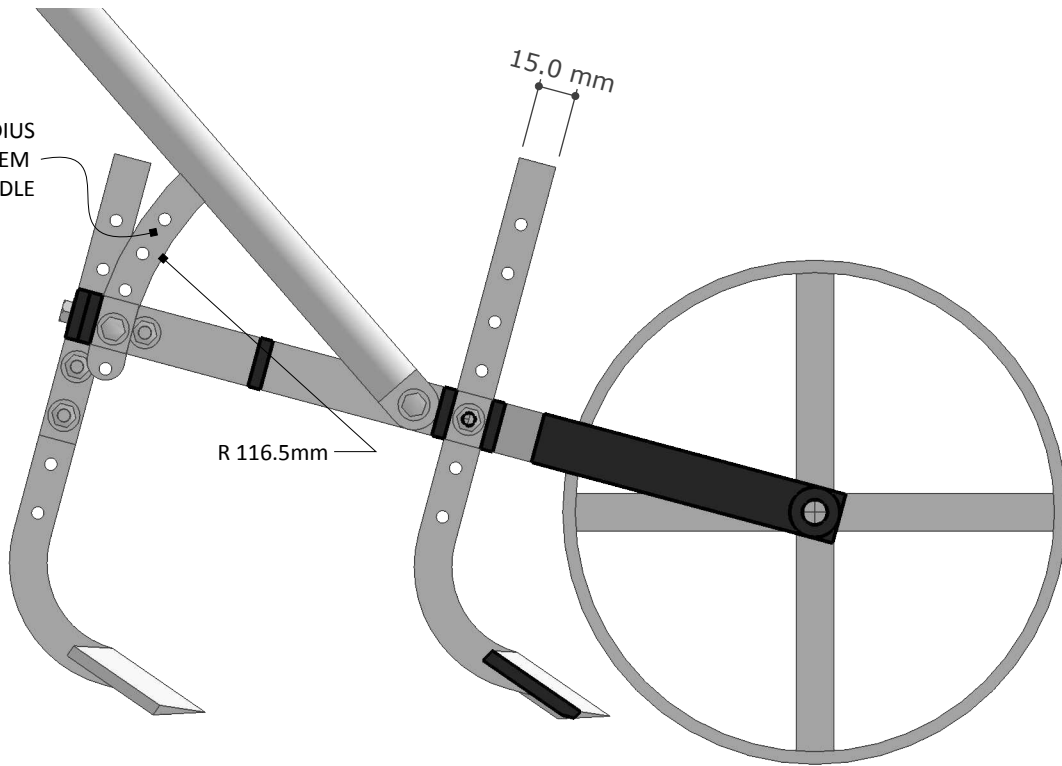
**P2** TOOL TOP VIEW  
SCALE: 1:3



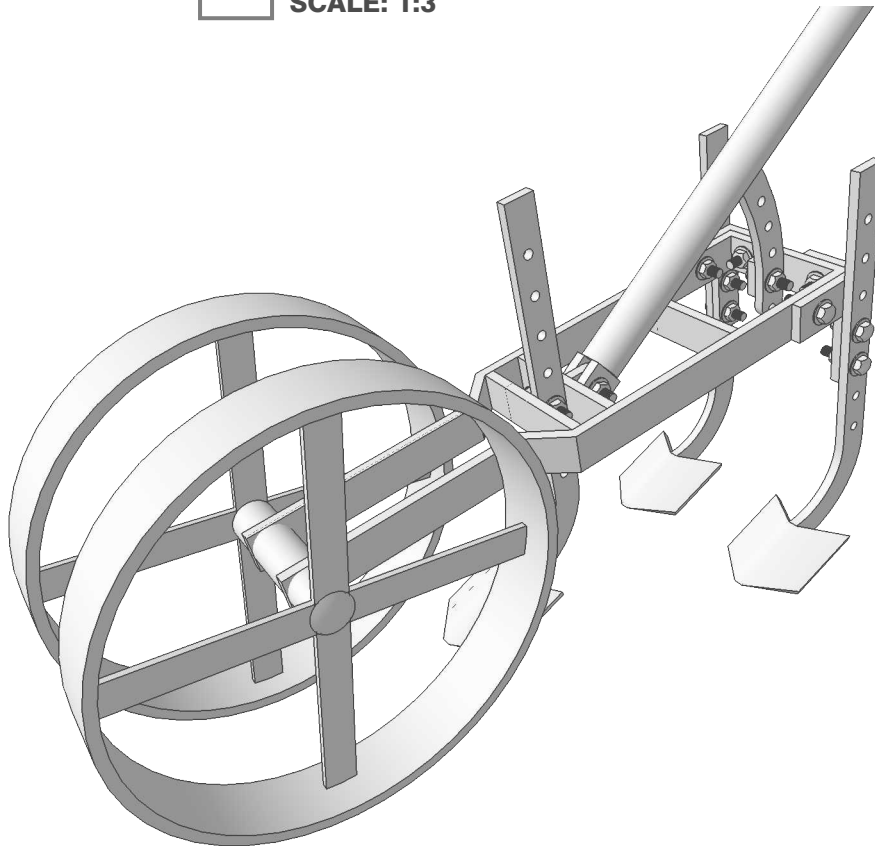
**M1** TOOL REAR PERSPECTIVE  
SCALE: NTS



116.5mm RADIUS  
ADJUSTMENT STEM  
WELDED TO HANDLE

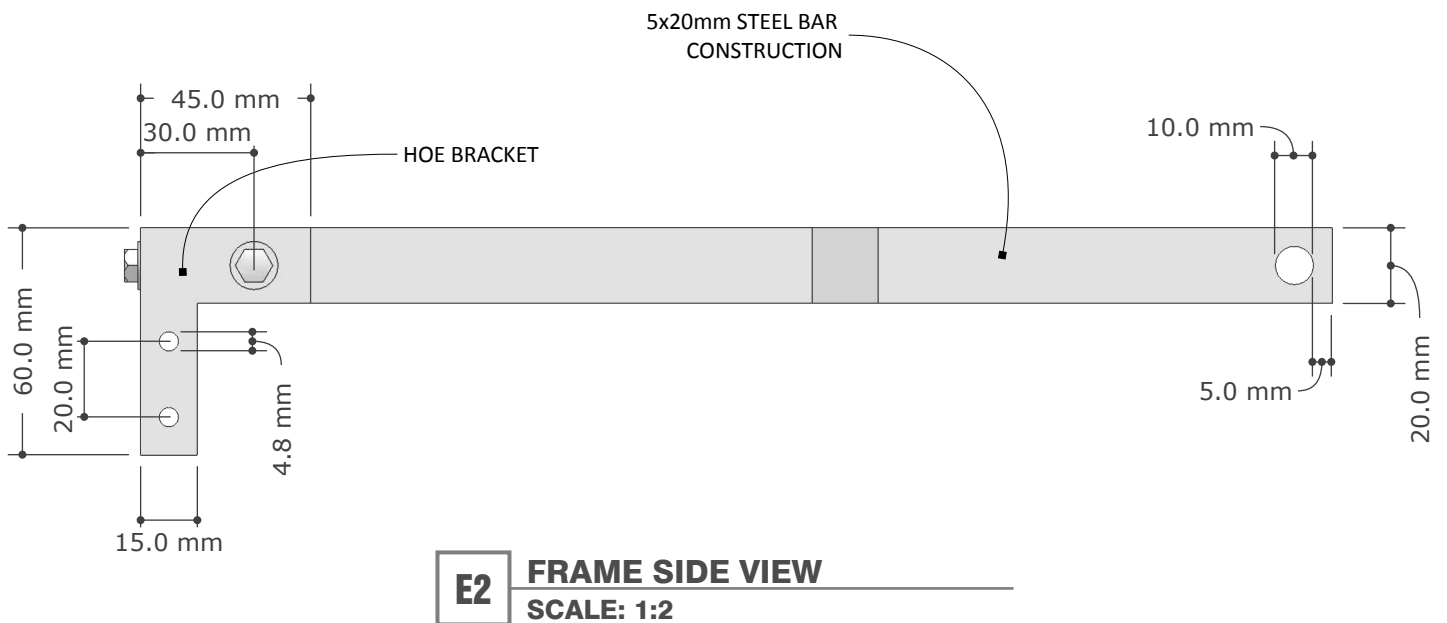
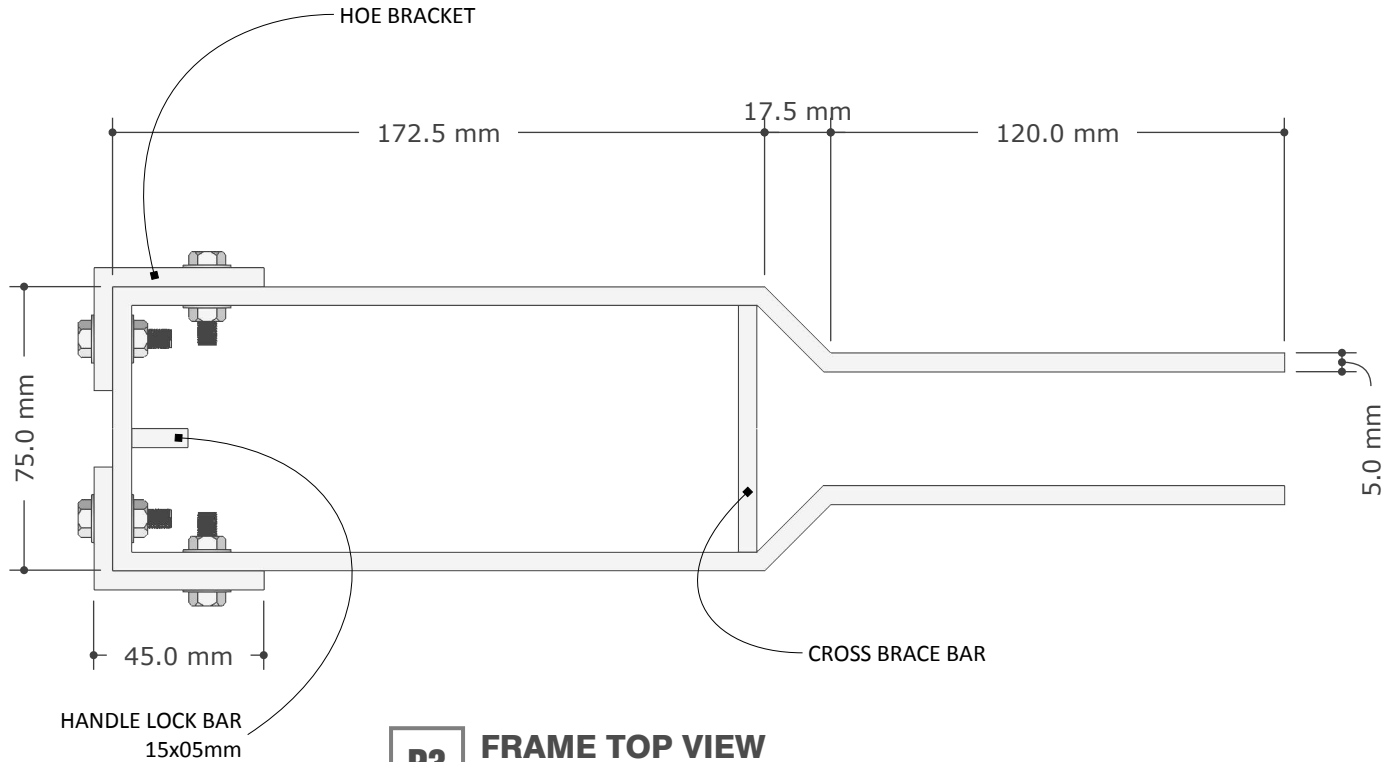


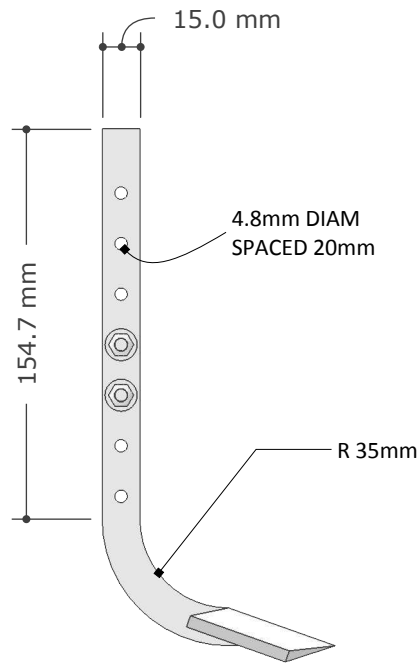
**S1** TOOL SECTION  
SCALE: 1:3



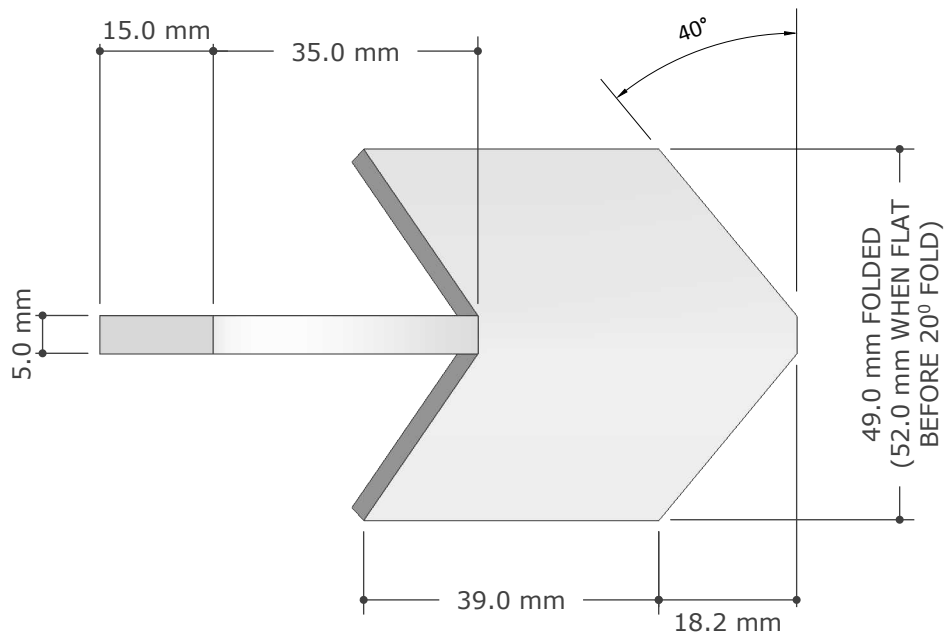
**M2** TOOL PERSPECTIVE  
SCALE: NTS







**E3** HOE SIDE VIEW  
SCALE: 1:3



**P4** HOE TOP VIEW  
SCALE: FULL SIZE

