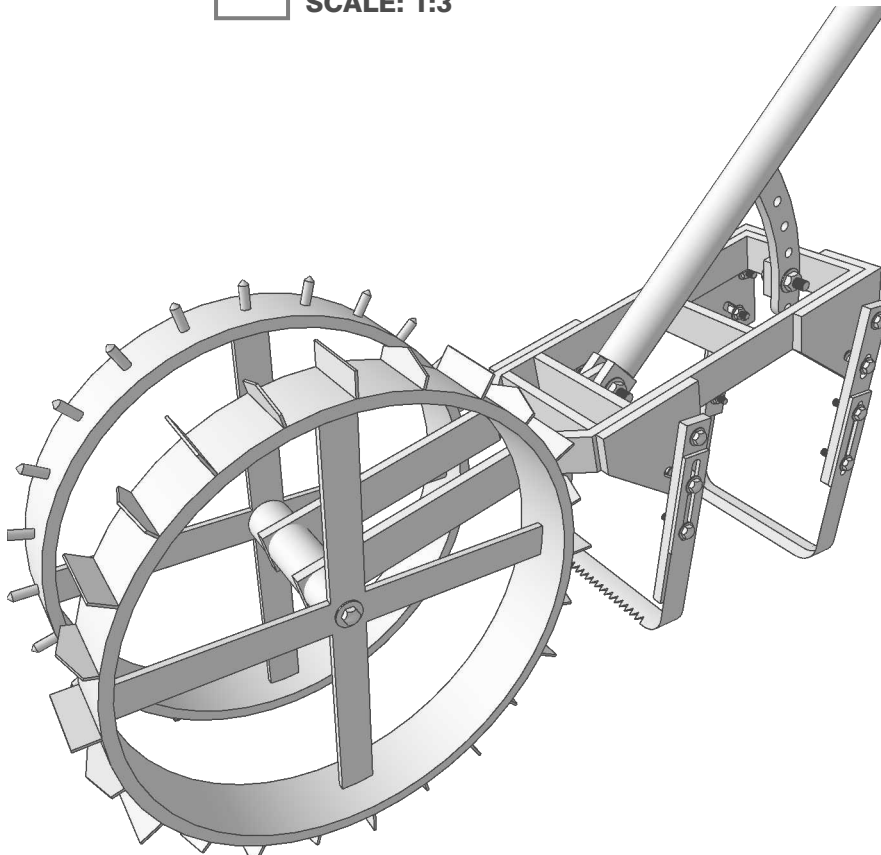


**S1** TOOL SECTION  
SCALE: 1:3



**M2** TOOL PERSPECTIVE  
SCALE: NTS



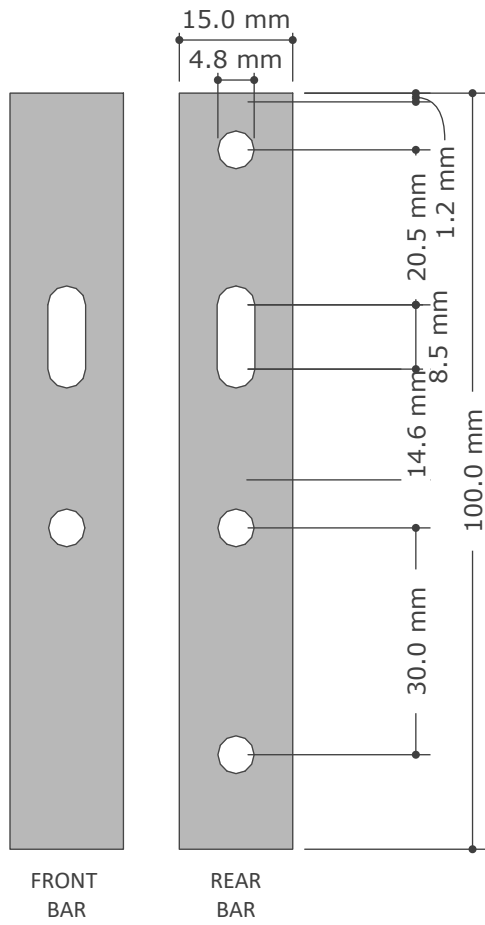
519 Seabright Ave., Suite 216 • Santa Cruz, CA 95062  
www.earthlinksinc.org • elinks@cruzio.com • 831-457-0414

PROJECT:

MULTICROP  
WHEELEDWEEDER WITH  
STIRRUP BLADE

ISSUE: 2023

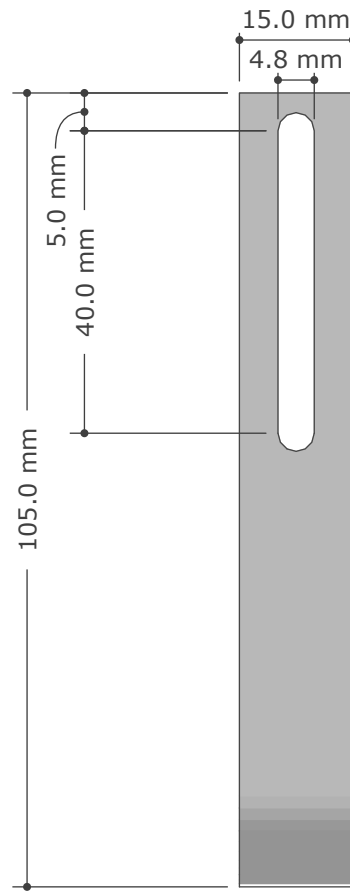
SHEET: TOOL PERSPECTIVE



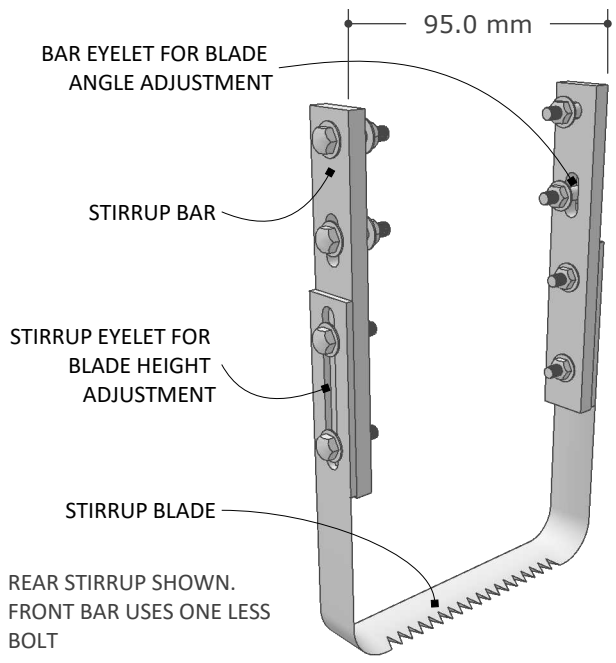
FRONT  
BAR

REAR  
BAR

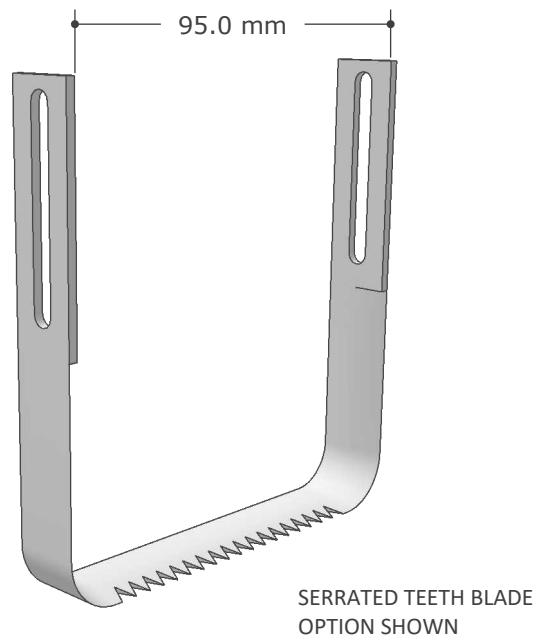
**E3** STIRRUP BAR SIDE VIEW  
SCALE: 1:1



**E4** STIRRUP BLADE SIDE VIEW  
SCALE: 1:1



**M3** STIRRUP & BAR ASSEMBLY  
SCALE: NTS



**M4** STIRRUP BLADE MODEL  
SCALE: NTS