

519 Seabright Ave., Suite 216 • Santa Cruz, CA 95062
 www.earthlinksinc.org • elinks@cruzio.com • 831-457-0414

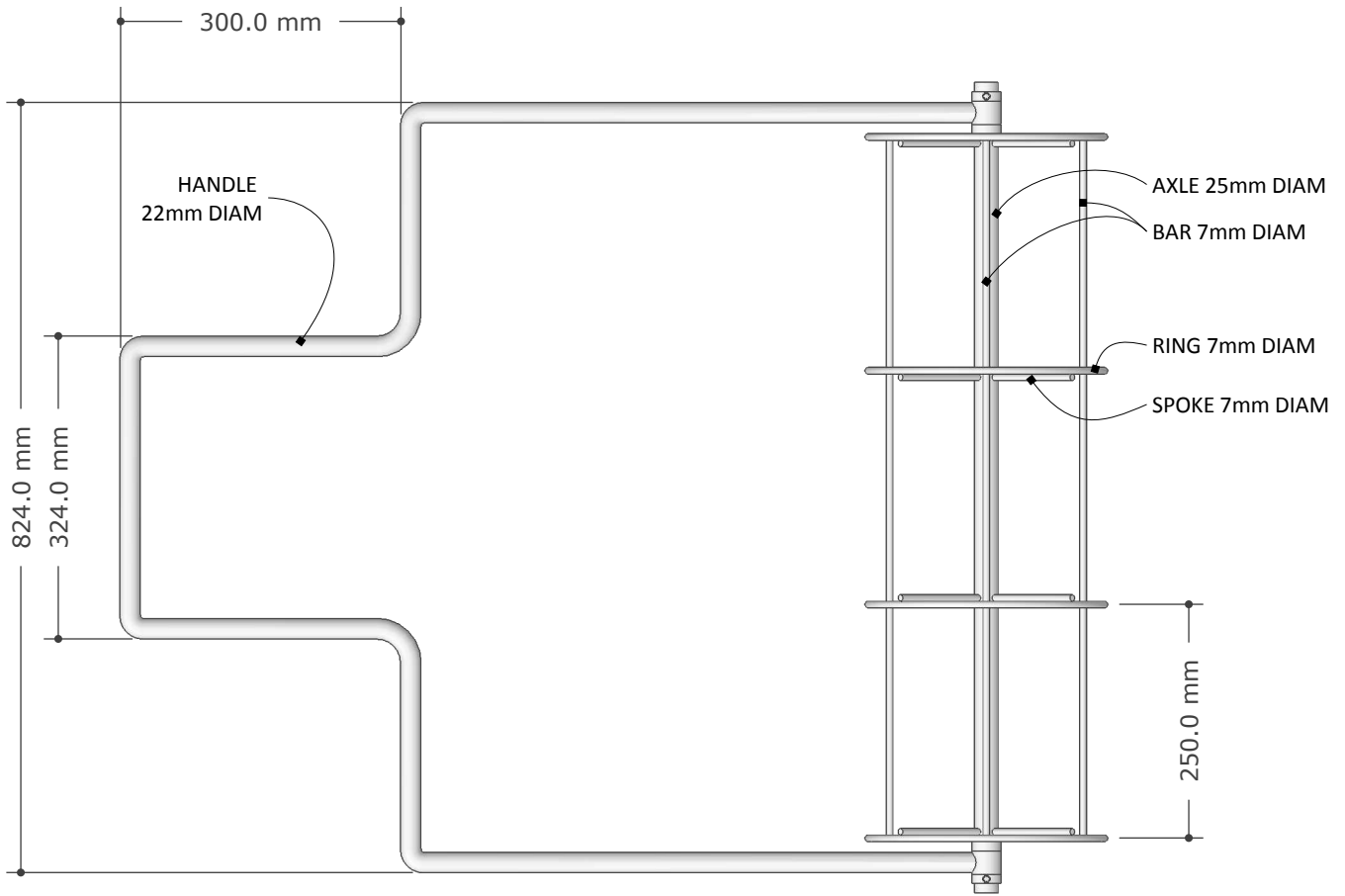
PROJECT:

RE-BAR ROLLER MARKER

ISSUE: Jan 31, 2016

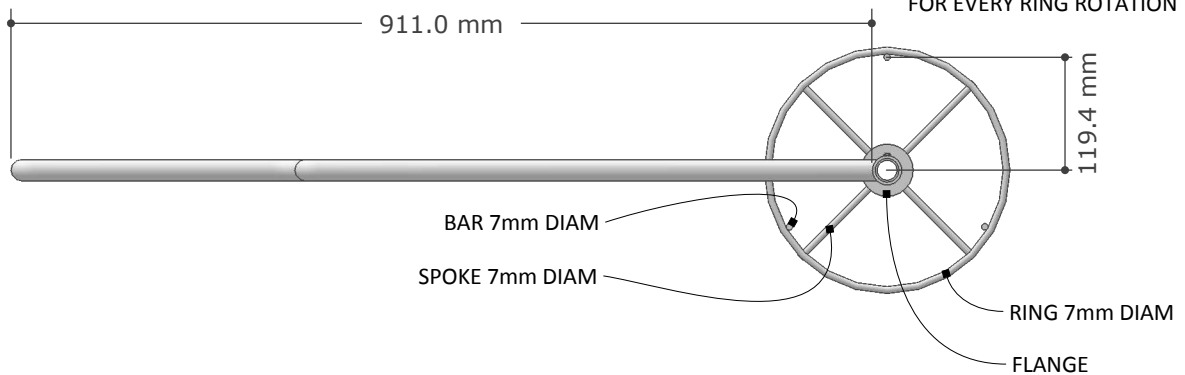
SHEET: PERSPECTIVE

PAGE: 01 OF 03



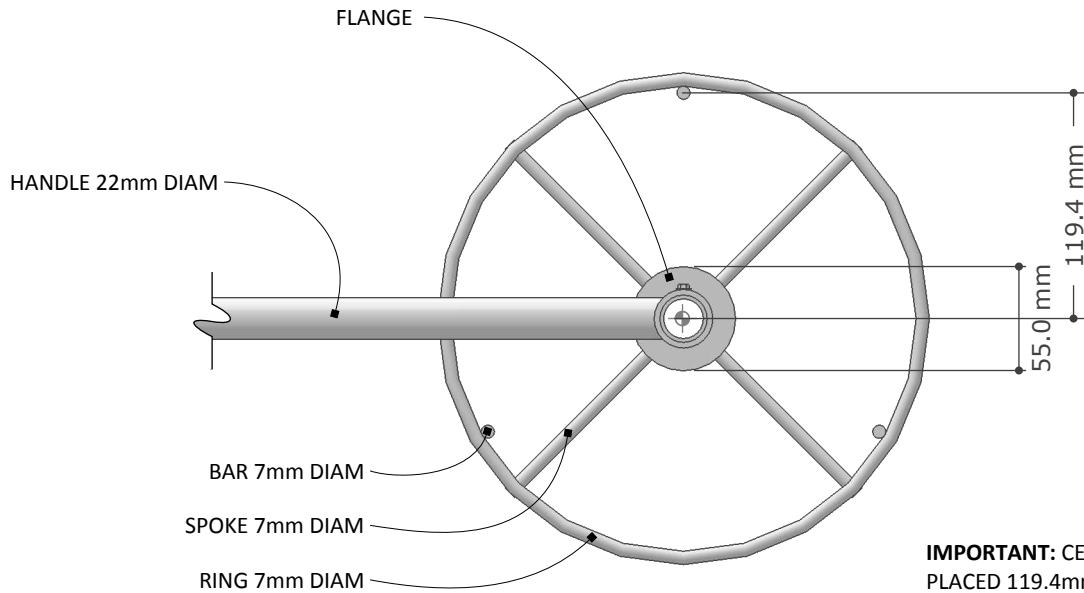
P1 TOP VIEW
SCALE: 1:8

IMPORTANT: CENTERLINE OF BARS PLACED 119.4mm FROM CENTER (RADIUS) TO PRODUCE 25cm GRID LINES ALONG THE PATH OF TRAVEL FOR EVERY RING ROTATION



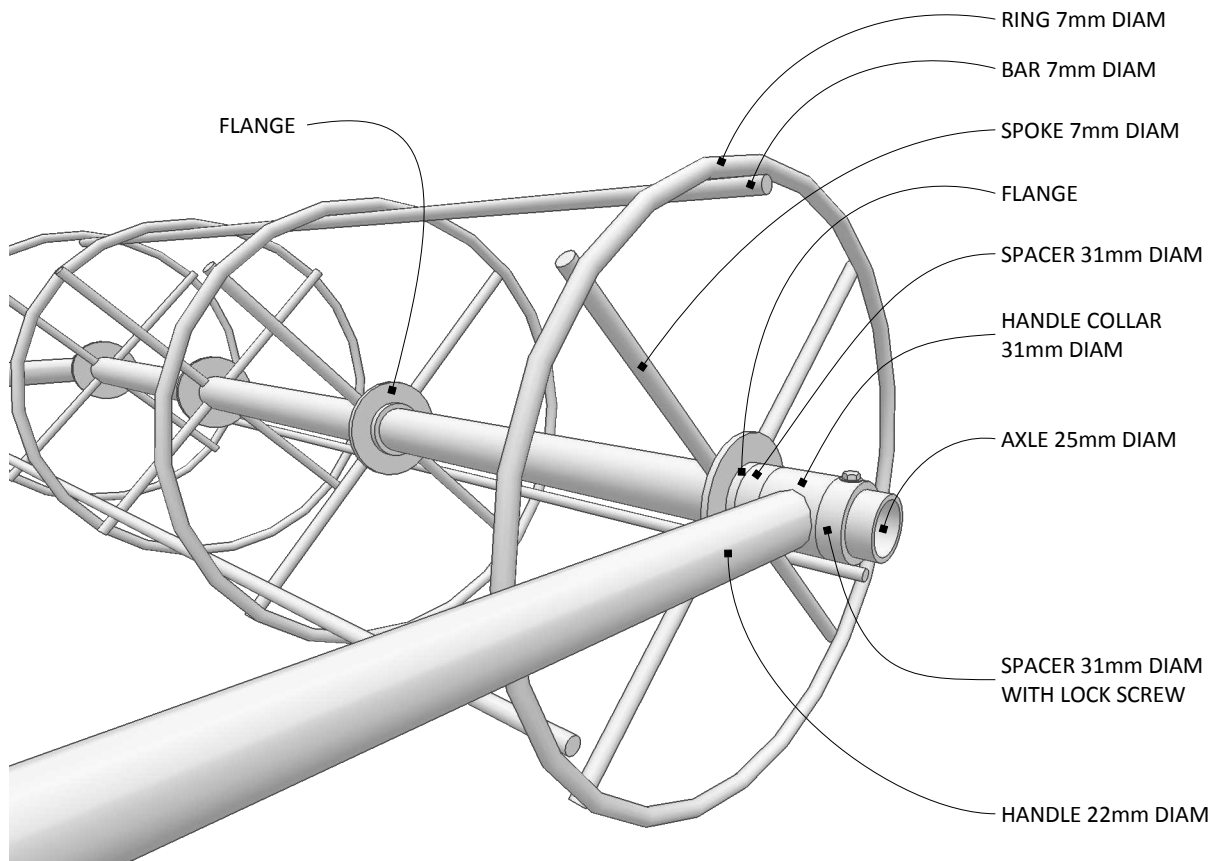
31 SIDE VIEW
SCALE: 1:8





IMPORTANT: CENTERLINE OF BARS PLACED 119.4mm FROM CENTER (RADIUS) TO PRODUCE 25cm GRID LINES ALONG THE PATH OF TRAVEL FOR EVERY RING ROTATION

P1 TOP VIEW
SCALE: 1:8



3D1 SIDE VIEW
SCALE: 1:8

