

IT IS RECOMMENDED THAT ALL CONNECTIONS BE PERFORMED USING "WOOD GLUE" AND "SCREWS" PREFERRED OVER "NAILS".

3D1 PERSPECTIVE
SCALE: NTS



519 Seabright Ave., Suite 216 • Santa Cruz, CA 95062
www.earthlinkinc.org • elinks@cruzio.com • 831-457-0414

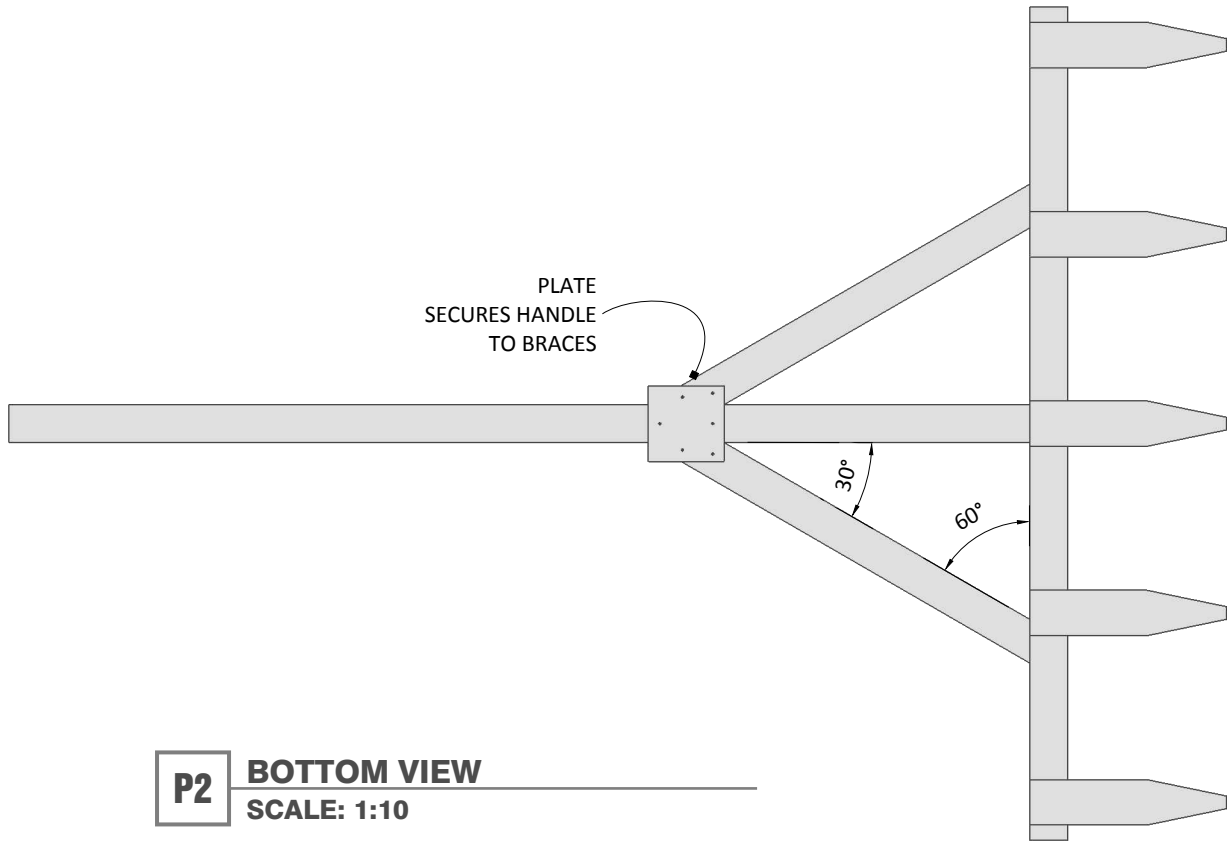
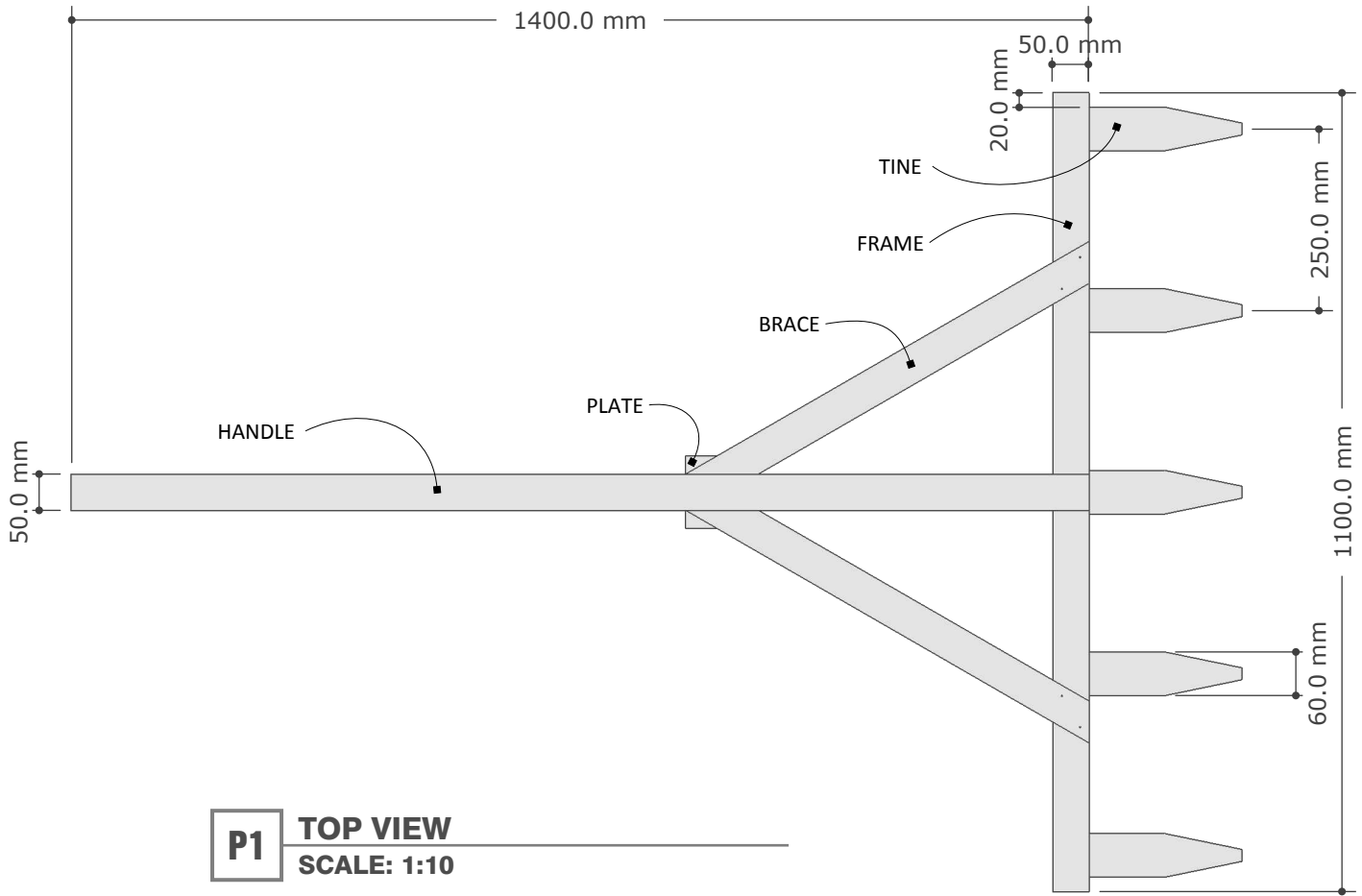
PROJECT:

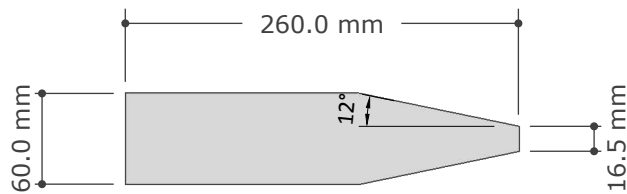
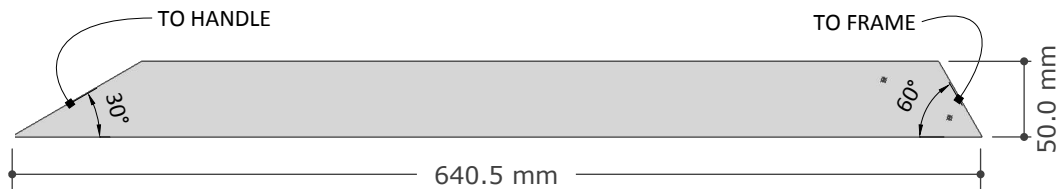
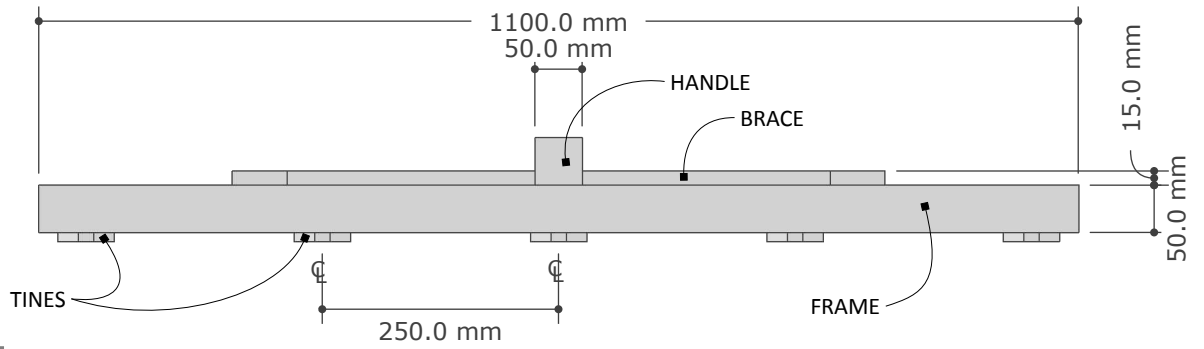
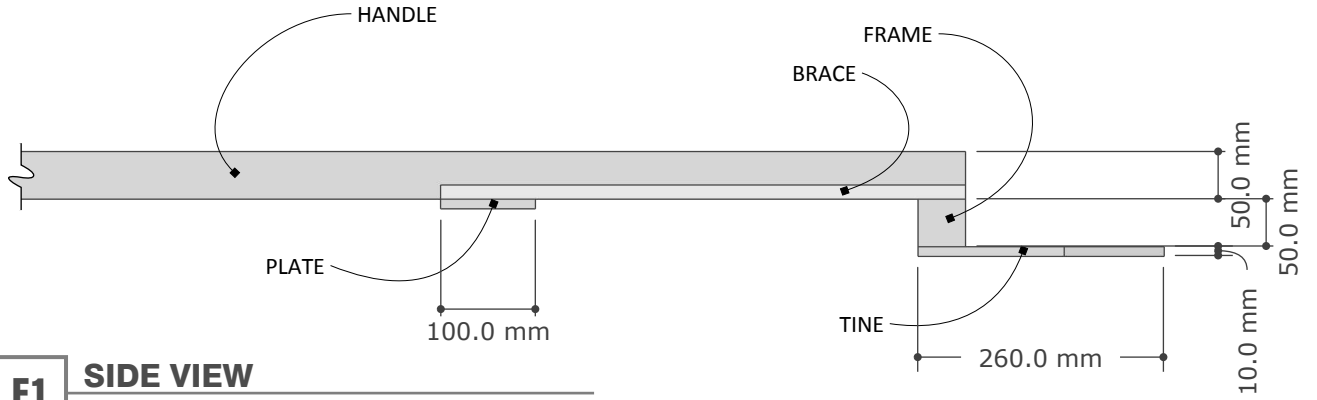
INDONESIA MARKER

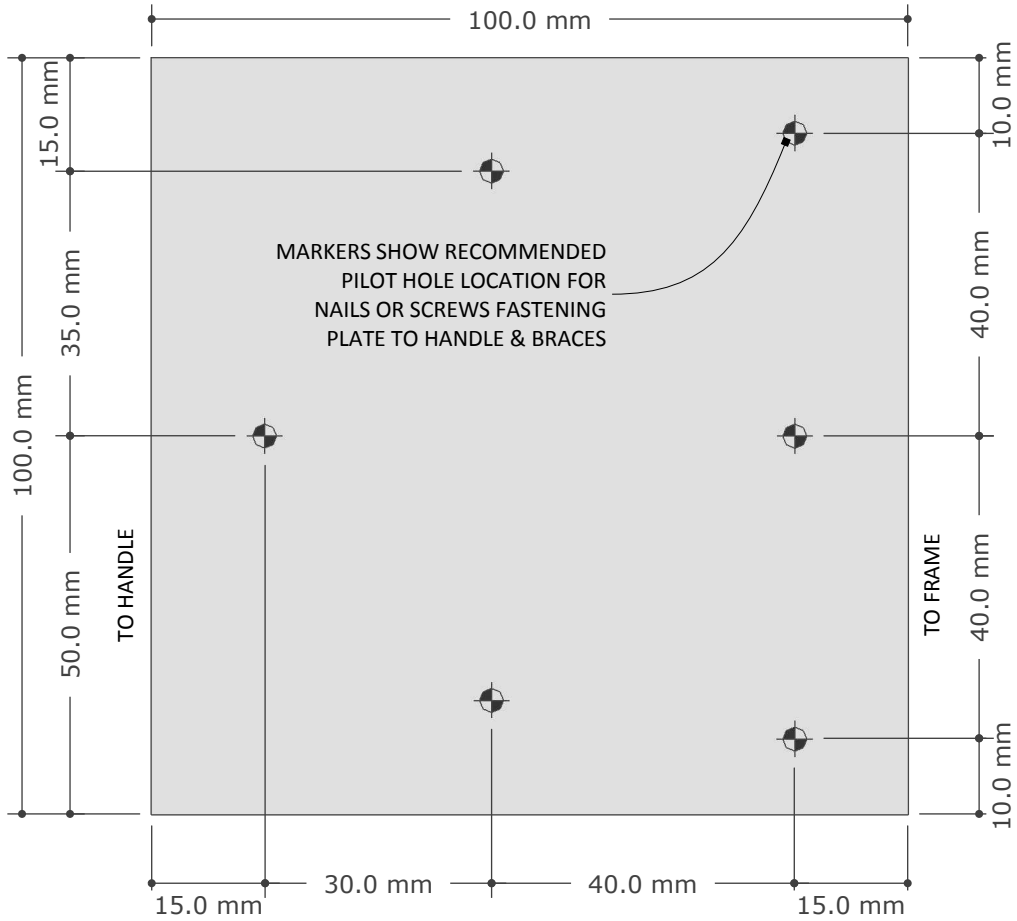
ISSUE: Dec 31, 2015

SHEET: PERSPECTIVE

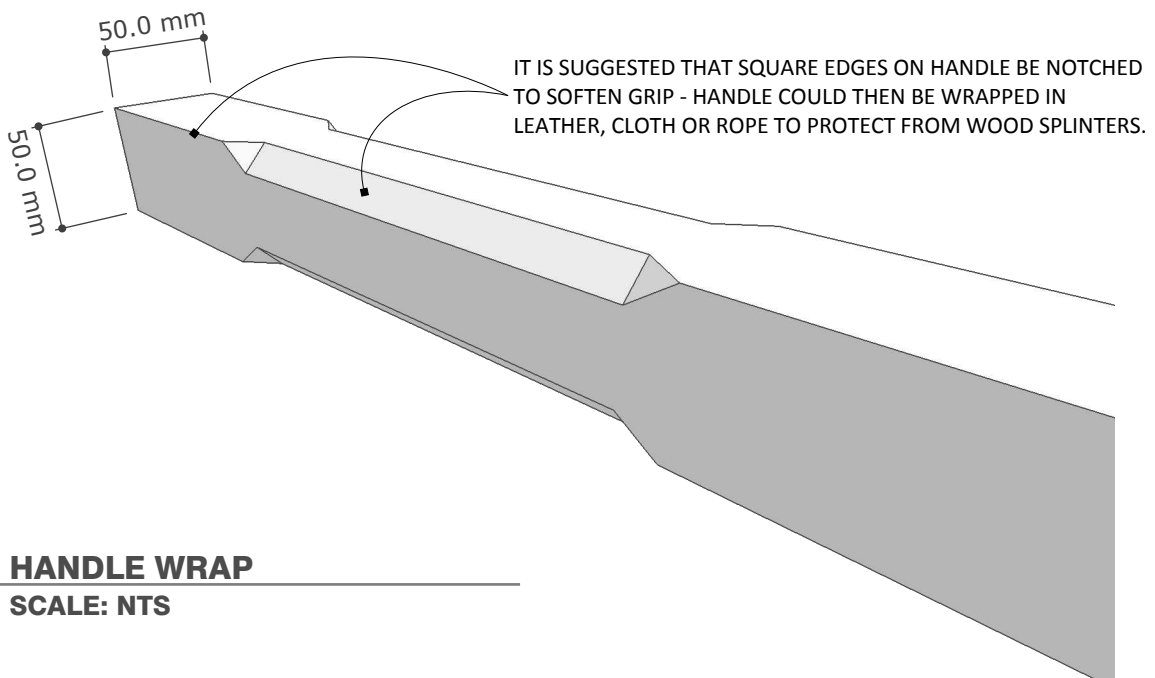
PAGE: 01 OF 04







P3 PLATE
SCALE: 1:1



3D2 HANDLE WRAP
SCALE: NTS

