

519 Seabright Ave., Suite 216 • Santa Cruz, CA 95062
www.earthlinksinc.org • elinks@cruzio.com • 831-457-0414

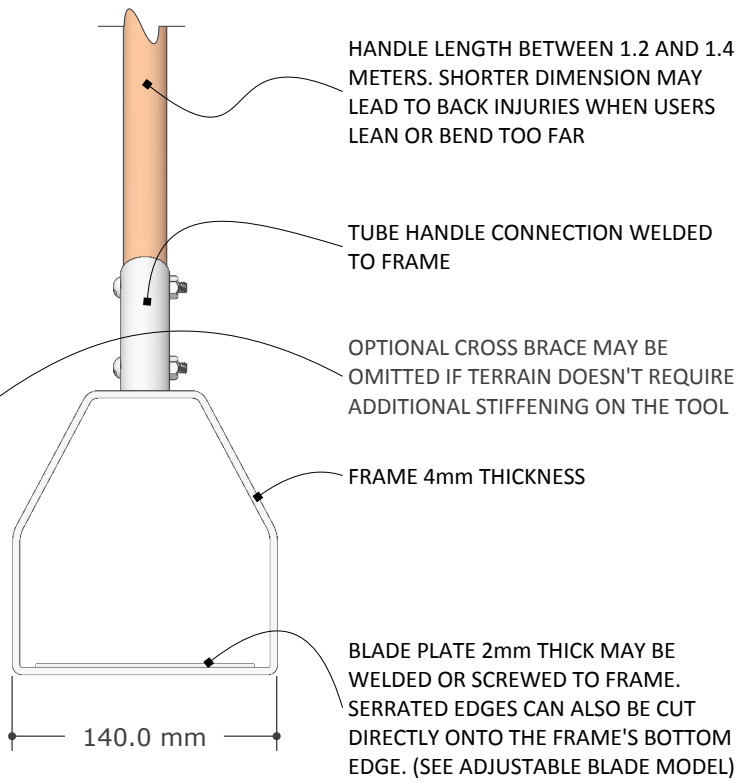
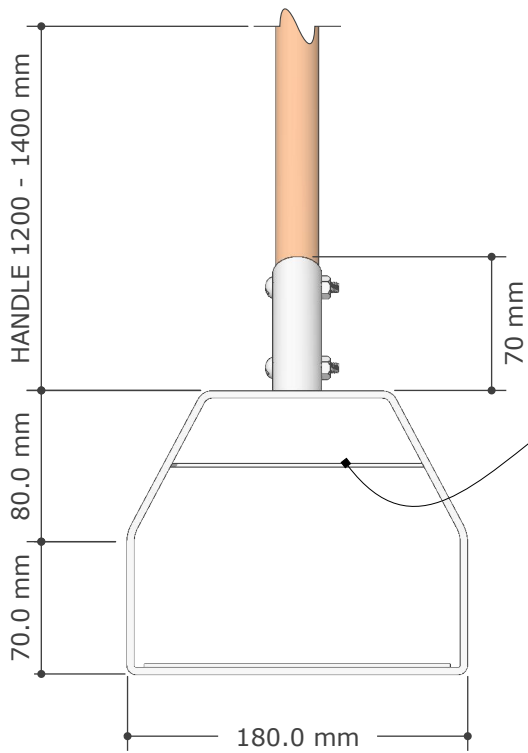
PROJECT:

RING HOE

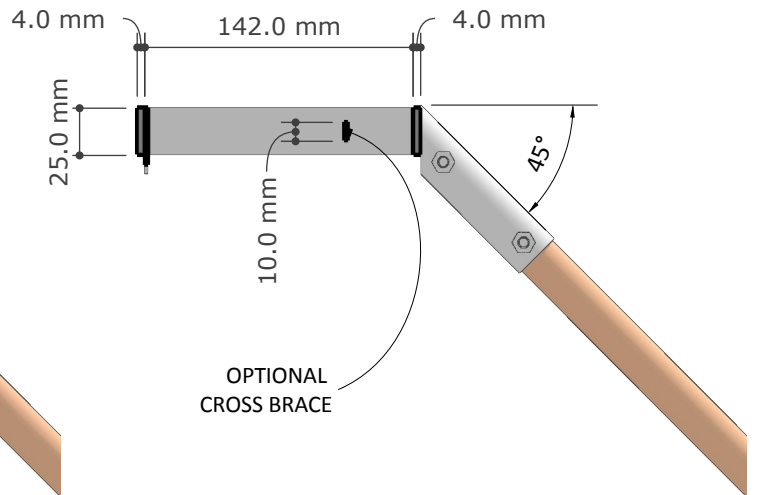
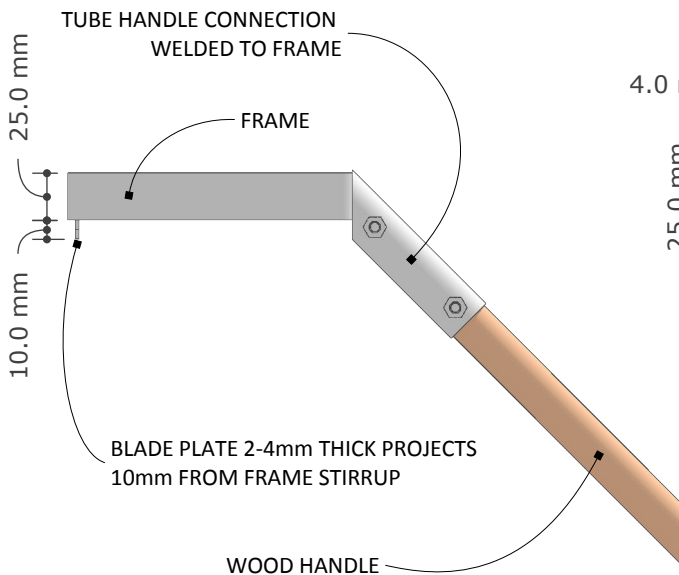
ISSUE: Feb 21, 2018

SHEET: PERSPECTIVES

PAGE: 01 OF 04

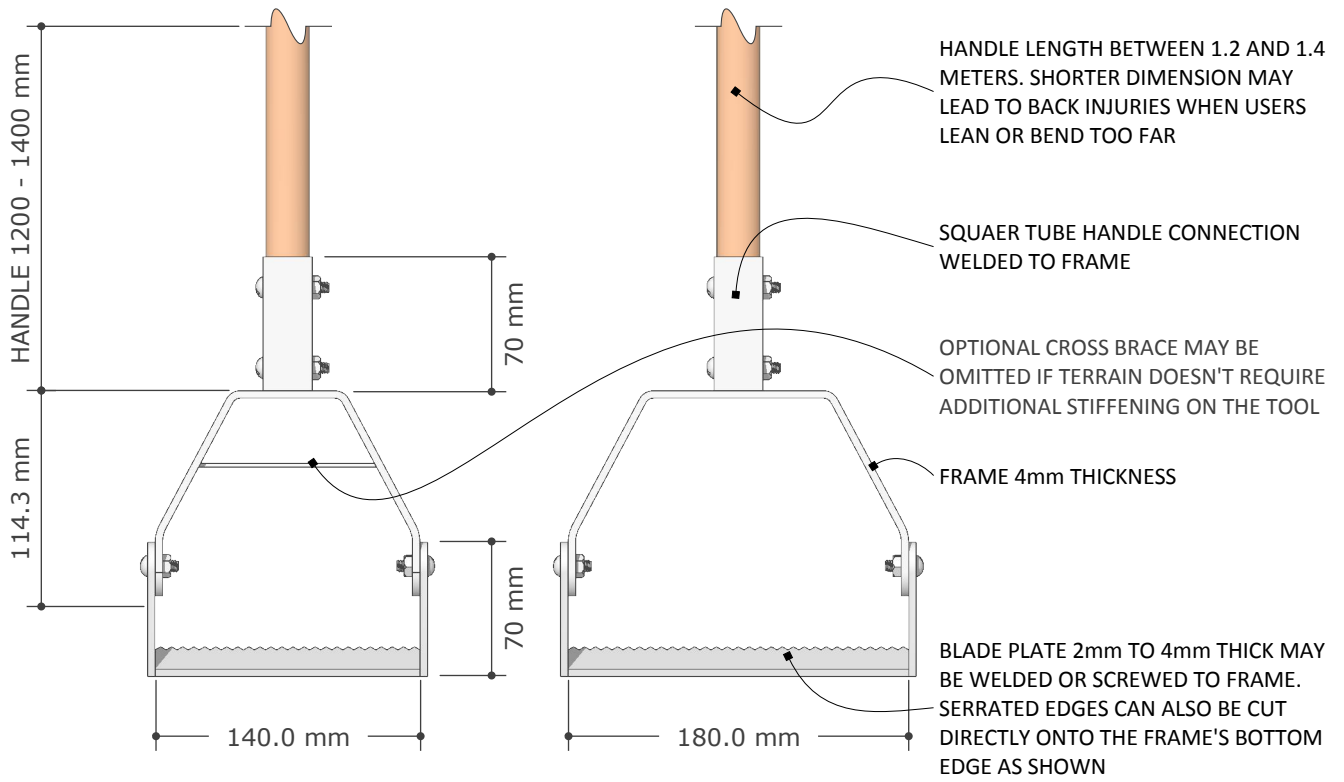


E1 FRONT VIEW
SCALE: 1:4

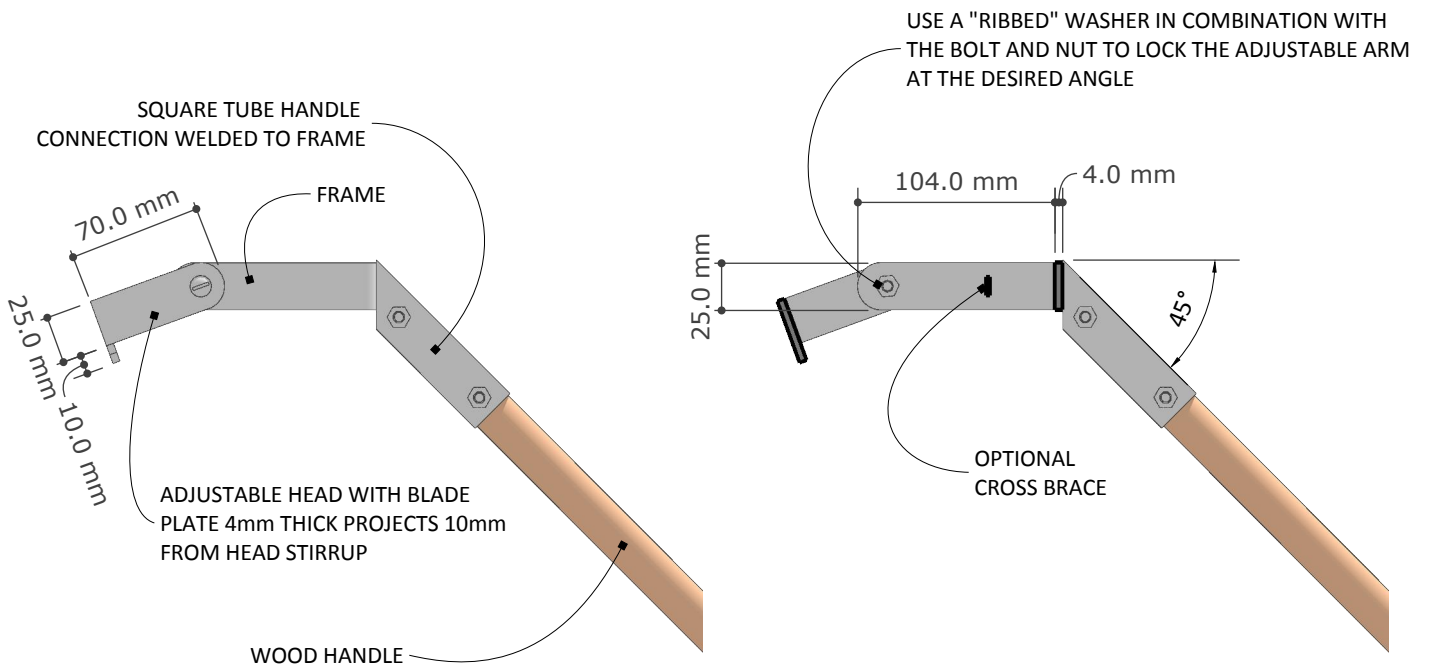


E2 SIDE VIEW
SCALE: 1:4

S1 SECTION
SCALE: 1:4



E3 FRONT VIEW
SCALE: 1:4



E4 SIDE VIEW
SCALE: 1:4

S2 SECTION
SCALE: 1:4



